

**selo**<sup>®</sup>

Concealed Frame Doorsets  
Riser Doors & AOVs

halo  
assist

Installation supportline:  
**call 020 3880 0339**

**Quadra+**<sup>®</sup>  
Riser door systems



**Installation guide**

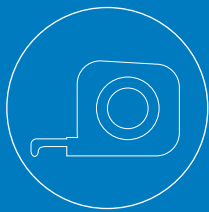
# Thank you for choosing Quadra+

To ensure the installation process is simple and efficient we recommended you read this guide in full before you begin.

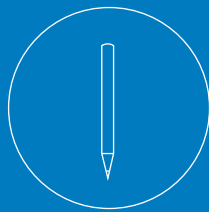
## Tools required



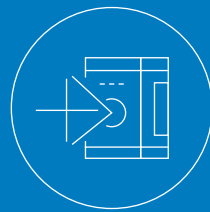
Knife



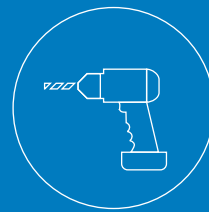
Tape measure



Pencil



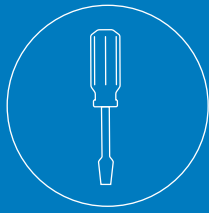
Laser level



Cordless drill-driver



Hex key (6mm)



Screw driver

## IMPORTANT - Fire rating notice

The fire rating of any doorset is subject to a number of factors, including:



1. The design/workmanship of other work, in particular the partitions into which the doorset is fixed.)
2. The doorset being installed in accordance with the installation instructions.

The Quadra+ system can be fitted to either studwork or masonry walls, you will need to ensure the wall itself meets the correct fire resistance performance.

Please consult Selo for advice and guidance to ensure the fire performance is met.

**call** 020 3880 0339 **email** [sales@selo-uk.com](mailto:sales@selo-uk.com)

# Installation guidance

Please ensure you follow the pre and post installation guidance below to ensure successful application.

## Wall preparation

The wall construction will need to be constructed to suit the fire rating specified. If using a steel stud partition, then a timber insert on the four sides of the opening needs to be fitted to ensure sufficient fixity.

### Note

Some shaft wall partitions will not require the timber insert, please consult Selo for guidance and advice.

## Fixings

Screw fixings used during installation must be:

- › **Min. 75mm long**
- › **Min. 35mm of penetration into the Stud**
- › **4.2mm dia.** (for optimum results)

## Doorset specifications

The Quadra+ doorset will come fully protected with cardboard corners and heat shrink wrapped in heavy duty polythene. Ensure the door specifications shown on the printed label correspond with your project schedule.

## Post installation checklist

Once installed; please ensure that all the steps within the post installation checklist (shown on back cover/final page) are completed to ensure safety and compliance.



# Single door installation

When fitting a single doorset the frame and doors will be supplied as one.

1

## Check opening

It is very important to ensure the opening is square and level. A **laser level** is ideal for this. Also check the structural opening dimensions are correct.

### IMPORTANT

If installing a **Double Door** please go to **page 10**  
For **Multi Door** instructions please go to **page 13**

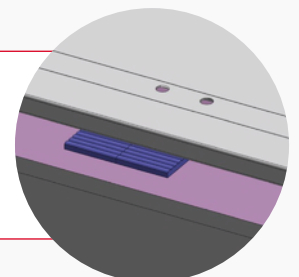
2

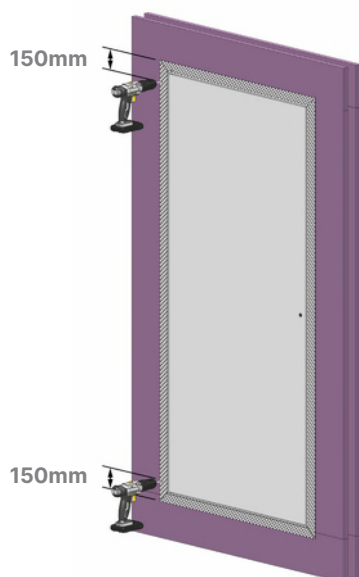
## Lift the doorset into the opening

Place **packers** on the bottom of the structural opening and lift the doorset into the opening to sit on the packers ensuring there is an **even gap top and bottom**.

### IMPORTANT

**Plastic or Non-combustible** packers **ONLY**. Gaps must **NOT exceed 10mm**.





### 3

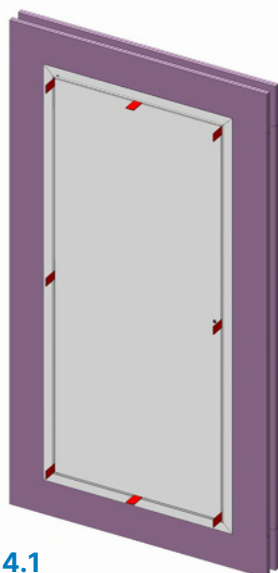
#### Fix Hinge Jamb

Ensure the Hinge Jamb is plumb using a **laser level**. Hold in place by fixing through the **perforated flange** one screw **150mm from the top** and one screw **150mm from the bottom**.

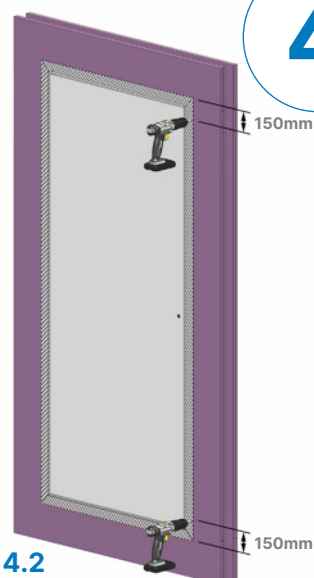
#### IMPORTANT

Screw fixings used during installation must be:

- › **Min. 75mm long**
- › **Min. 35mm of penetration into the Stud**
- › **4.2mm dia.** (for optimum results)



4.1



4.2

### 4

#### Check gaps

**4.1** Check you have an even **3mm gap** all round the door leaf using a **3mm packer**.

**4.2** Fix the **Latch Jamb** in the same way.

### 5

#### Check Door operation

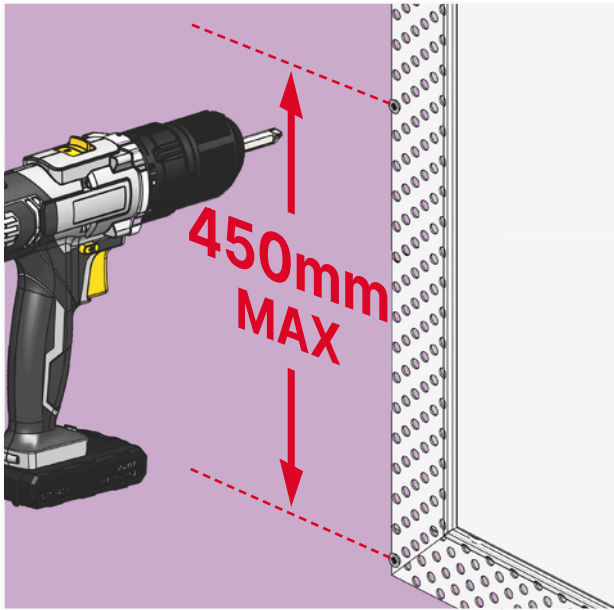
Open and close the door to ensure it **does not rub or catch** and adjust if necessary.





## 6

### Fix through Perforated Flange



Fix through the perforated flange with fixings **no further apart than 450mm** and a maximum **150mm from the corners**. Use a fixing length that will penetrate the stud by a **minimum of 35mm**.

#### IMPORTANT

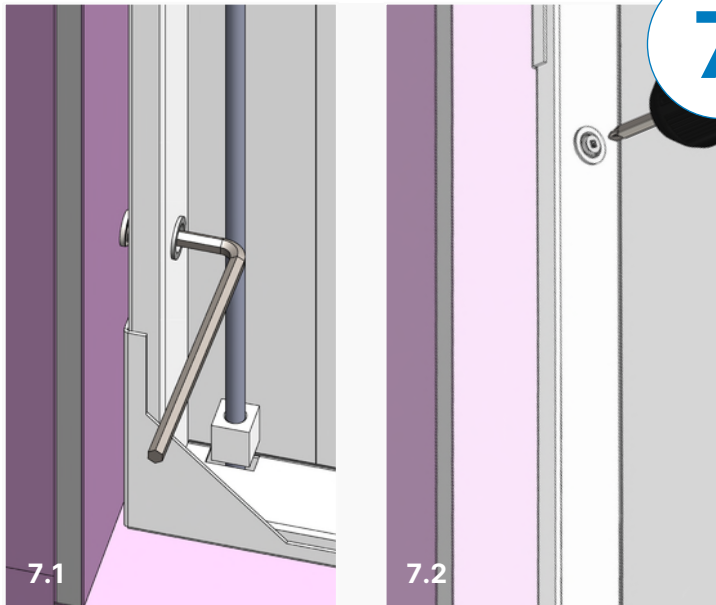
Screw fixings used during installation must be:

- > **Min. 75mm long**
- > **Min. 35mm of penetration into the Stud**
- > **4.2mm dia.** (for optimum results)

If your doorset **does NOT have Adjusters** use appropriately sized packers and fix through the hole in the doorstop.

## 7

### Tighten Frame Adjusters and fix



**7.1** Using the **Hex Key**, tighten the **Frame Adjusters** in the door stop so they just 'kiss' the opening.

**7.2** Fix **through the hole** in the Adjuster using a fixing length that will penetrate the Stud by a **minimum of 35mm**.

#### IMPORTANT

Ensure the gap between the frame and the structural opening is **no more than 10mm**. If your frame **does NOT have Adjusters** fix through the hole in the stop. Use a packer to support the frame to ensure it doesn't twist when fixing.

## 8

### Tape & Joint/Plaster



Apply **Fibre Tape** to all 4 sides. The tape should be **half on the Flange and half on the Plasterboard face**.

Tape & Joint or Plaster up to the perforated flange to conceal the frame.

## 9

## Painting &amp; Decoration



The doorset can either be left as supplied in its powder coated form, or, if indicated by a label on the door it can be painted over with the rest of the wall.

**IMPORTANT**

If wallpapering; please **seek approval from Selo** as to suitability for fire rating.

## 10a

## Fire rating

**Pre-intumesced frame ONLY**

If specified, the doorset will be provided with the intumescent fire stopping material fixed into place. **There is no need to apply any additional sealant.**

To check compliance, look through the **inspection hole on the inner frame** (above the Quench sticker, shown below). Installed Quench intumescent should be visible through this hole.

**Acoustic attenuation**

If optimum acoustic rating is required; Please caulk the rear of the frame/ structural opening gap.

# 10b

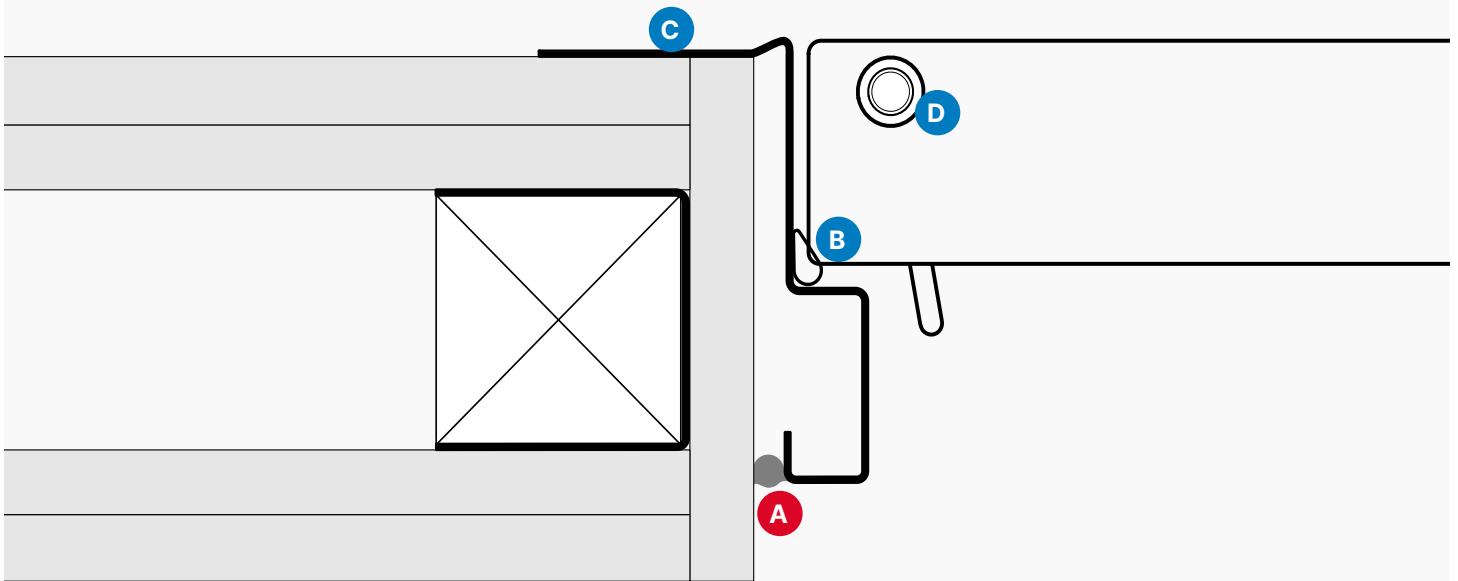
## Fire rating



### Standard frame ONLY

To achieve a fire rating on a standard frame it will require 'Mann McGowan Pyromas A' / 'Everbuild Everflex Fire Mate Acrylic Intumescent Sealant' or an intumescent sealant that has been tested in the same situation applied to the back edge of the frame as shown below.

**IMPORTANT - DO NOT USE ANY TYPE OF EXPANDING FOAM TO INSTALL THE DOORSET**



### IMPORTANT

If packers have been used they must be trimmed back to enable them to be covered by the intumescent mastic.

**DO NOT** use expanding foam to install the doorset.

If wallpapering the doorset ensure it has the required fire rating to suit the application. Contact Selo for compatibility and installation advice on **020 3880 0339**.

- A** Continuous bead of intumescent sealant to rear of frame. Any packers used must be trimmed-back and covered with the intumescent sealant
- B** Silicone Smoke Seal
- C** Fixing-flange Frame
- D** Pivot Hinge location point



## 11

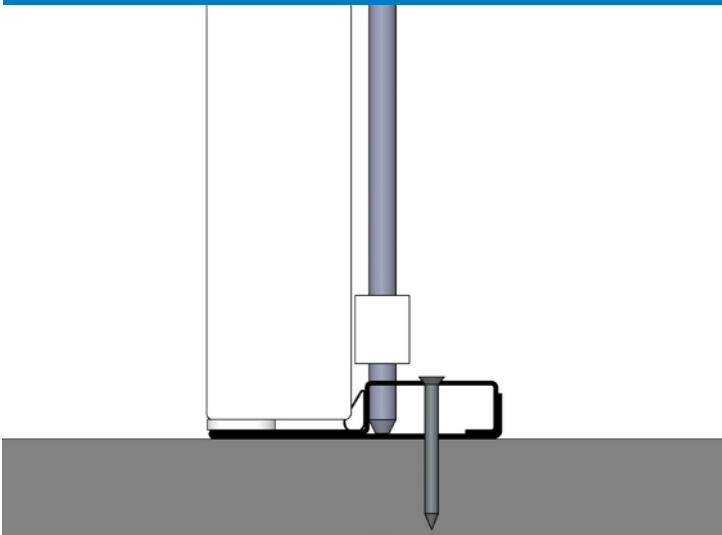
## FDKL signage



FDKL signs must be fitted in **accordance with local building regulations**.

Discrete option available may be accepted by building control, approval must be sought.

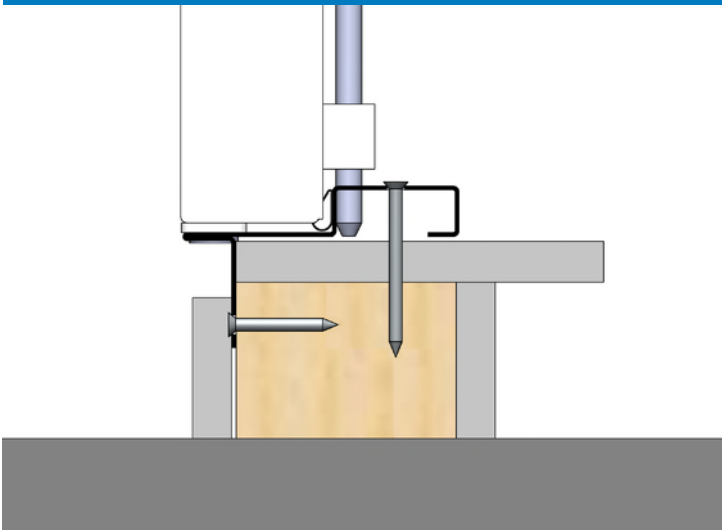
## IMPORTANT - QT1 ADAPPTIONS

**QT1 Frame**

Where the QT1 frame detail has been specified there is no perforated fixing flange.

Fixings are to be **applied through the door stop**.

## IMPORTANT - QT2 ADAPPTIONS

**QT2 Frame**

Where the QT2 frame detail has been specified fix through the **door stop** and also through the **flange** using the holes provided.

# Double door installation

The frame needs to be installed first and the doors then hung.

1

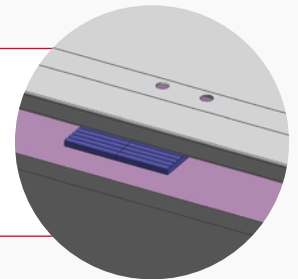
## Lift the Frame into the opening

Check opening with a **laser level** to ensure it is square and level.

Place **packers** on the bottom of the structural opening and lift the doorset into the opening to sit on the packers ensuring there is an **even gap top and bottom**.

### IMPORTANT

**Plastic or Non-combustible** packers **ONLY**. Gaps must **NOT** exceed **10mm**.



2

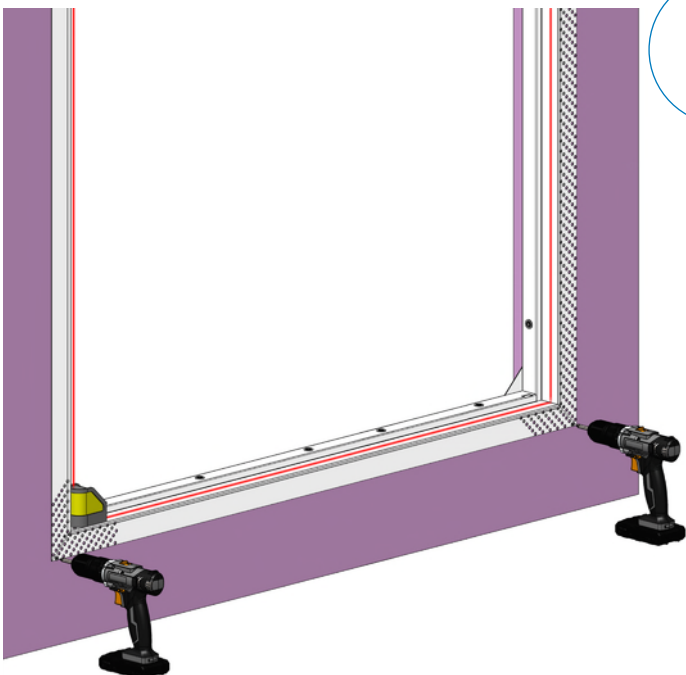
## Level Threshold

Check the **Threshold is level** using a laser and fix a screw through the plaster-bead at the **Threshold only**, into each opposite corner of the threshold plaster-bead.

### IMPORTANT

Screw fixings used during installation must be:

- > **Min. 75mm long**
- > **Min. 35mm of penetration into the Stud**
- > **4.2mm dia.** (for optimum results)

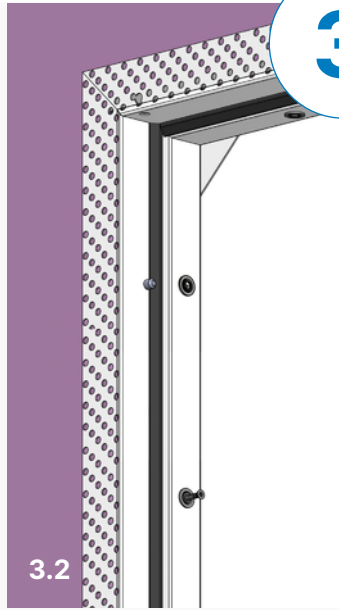


## 3

## Plumb and fix Vertical Jamb



3.1



3.2

**3.1** Plumb the **Vertical Jamb** using a laser and wind out **top Adjuster** in the door stop to take up the gap using the **Hex Key** provided.

**3.2** Fit a screw through the **second hole** down in the door stop on each **Vertical Jamb**. **Do not screw these in tightly at this stage.**

**IMPORTANT**

Screw fixings used during installation must be:

- › **Min. 75mm long**
- › **Min. 35mm of penetration into the Stud**
- › **4.2mm dia.** (for optimum results)

## 4

## Hang Door Leafs



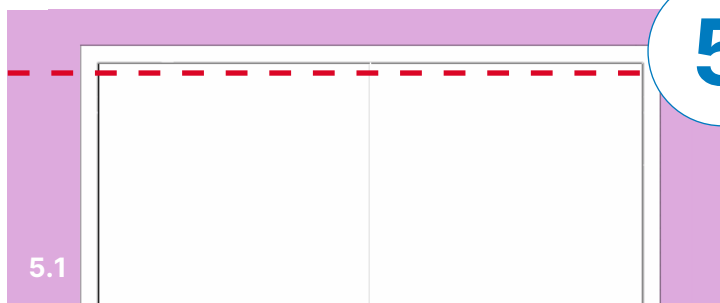
Check a **Washer** is present on each **Bottom Pivot**.

**4.1** Place the **Door Leaf** on the **Bottom Pivot** and then locate the sprung loaded **Top Pivot-pin** into the hole within the **Frame**.

**4.2** Ensure that the **Pivot-pin** is **fully engaged** and that the lever is able to move into the horizontal slot.

## 5

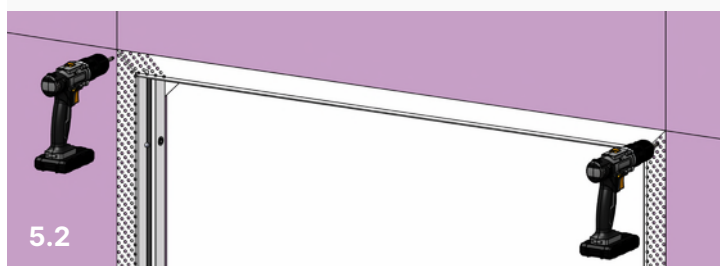
## Level Door Leaf tops



5.1

**5.1** Check the tops of the doors are level. If required, adjust the **Frame** left or right to achieve this.

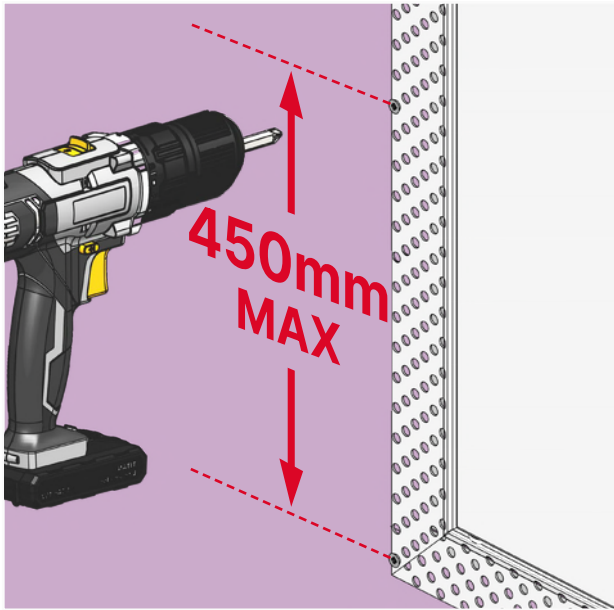
**5.2** Lock the **Frame** into position by adding a fixing to each top corner of the **Fixing Bead**.



5.2

## 6

### Fix through Perforated Flange



Fix through the perforated flange with fixings **no further apart than 450mm** and a maximum **150mm from the corners**. Use a fixing length that will penetrate the stud by a **minimum of 35mm**.

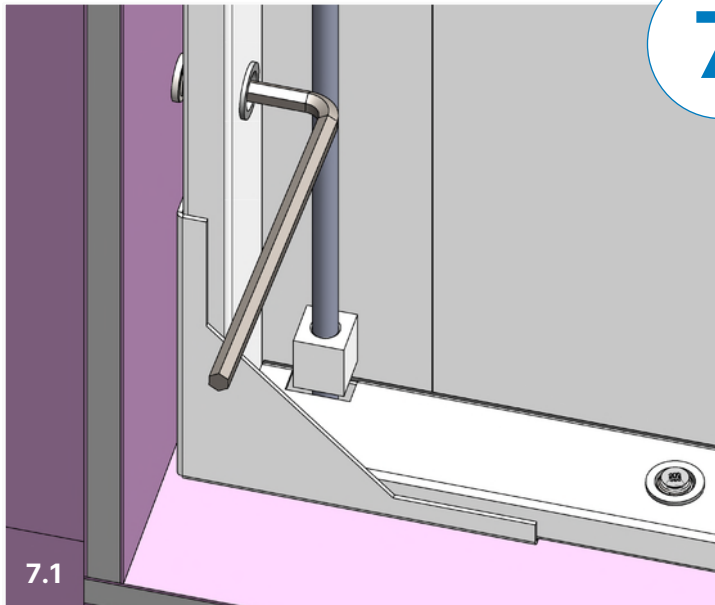
#### IMPORTANT

Screw fixings used during installation must be:

- > **Min. 75mm long**
- > **Min. 35mm of penetration into the Stud**
- > **4.2mm dia.** (for optimum results)

## 7

### Tighten Frame Adjusters and fix



**7.1** Using the **Hex Key**, tighten the **Frame Adjusters** in the door stop so they just 'kiss' the opening.

**7.2** Fix **through the hole** in the Adjuster using a fixing length that will penetrate the Stud by a **minimum of 35mm**.

#### IMPORTANT

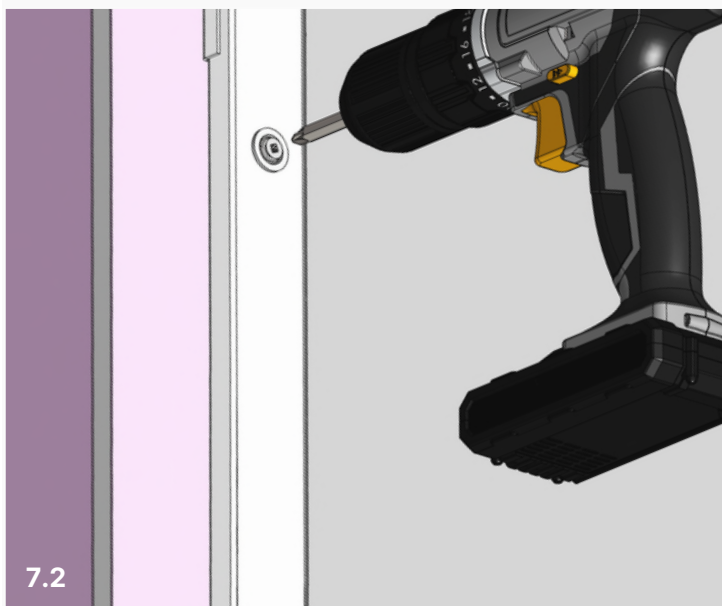
Screw fixings used during installation must be:

- > **Min. 75mm long**
- > **Min. 35mm of penetration into the Stud**
- > **4.2mm dia.** (for optimum results)

Ensure the gap between the frame and the structural opening is **no more than 10mm**. If your frame **does NOT have Adjusters** fix through the hole in the stop. Use a packer to support the frame to ensure it doesn't twist when fixing.

#### FIRE RATING

Refer to Single Door Fire-rating Steps **10a** and **10b** to complete the Double Door Installation.



# Multi door installation

The frame needs to be installed first and the doors then hung.



## 1

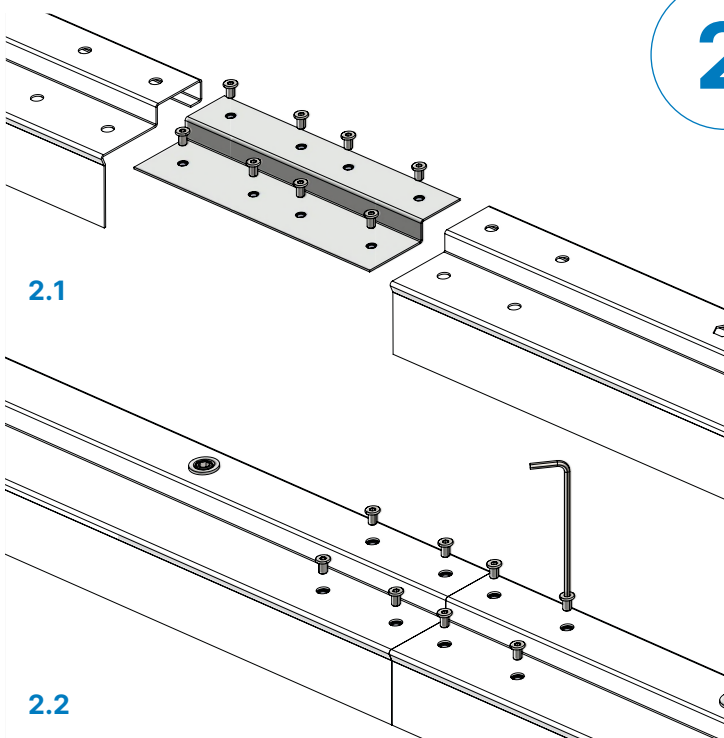
### Installation

Multi doors are Doorsets that consist of 3–6 Door Leafs.

These are to be installed using the same steps as the Double Doors.

#### IMPORTANT

Ensure that the pivot points in the middle of the threshold are securely packed to enable them to support the weight of the door. Ensure supporting wall design is suitable for the aperture and door weight.



2.1

2.2

## 2

### Frame Joining

On wider frames the horizontal sections will be split into two pieces with a central joining plate.

**2.1** The joining plate goes under the frame.

**2.2** Using a **3mm Hex Key** (not provided) bolt the frame and joining plate together using x8 **M5×8mm Bolts** (included).



# Hanging/removing door leaf

The Quadra+ system uses a pivot pin hinge system for ease of installation.

1

## Base pivot



Ensure the **3mm nylon washer** is set on the pivot.

Place the door leaf on the bottom pivot pin and lift the door into place.

### IMPORTANT

This is a **two person** operation.

2

## Head pivot



Using the pivot pin on the back of the door, pull across and downwards to retract the head pin.

Insert the door leaf into the frame and locate the head pivot mounting point. Once in position re-extend the pin securing it to the frame, then slide across and up to lock the pin into position.

To remove the door simply reverse the steps.

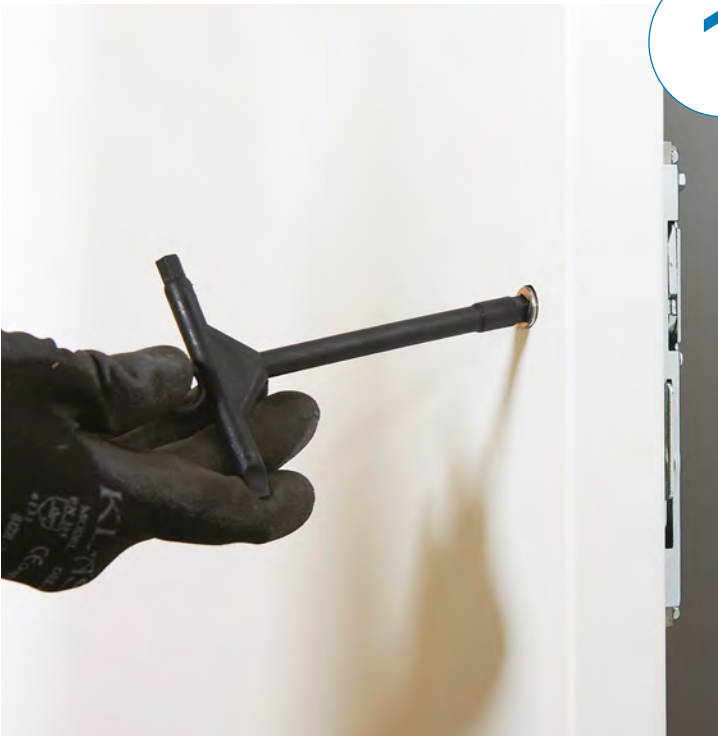
# 3 point lock

Quadra+ comes pre-fitted with a 3 point locking system.

## 1

### Standard lock

The Quadra+ doorset uses a 3 point locking system operated by a square drive key as shown. This is provided already fitted to the door.



**1.1** Centre lock mechanism



**1.2** Base locking pin



**1.3** Head locking pin

# Euro cylinder

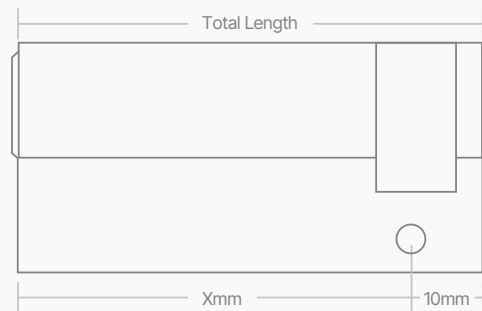
For high security situations the Quadra+ locking system can be provided with a provision for a euro cylinder.

1

## Fitting a euro cylinder

Insert the required cylinder into the pre-cut hole.

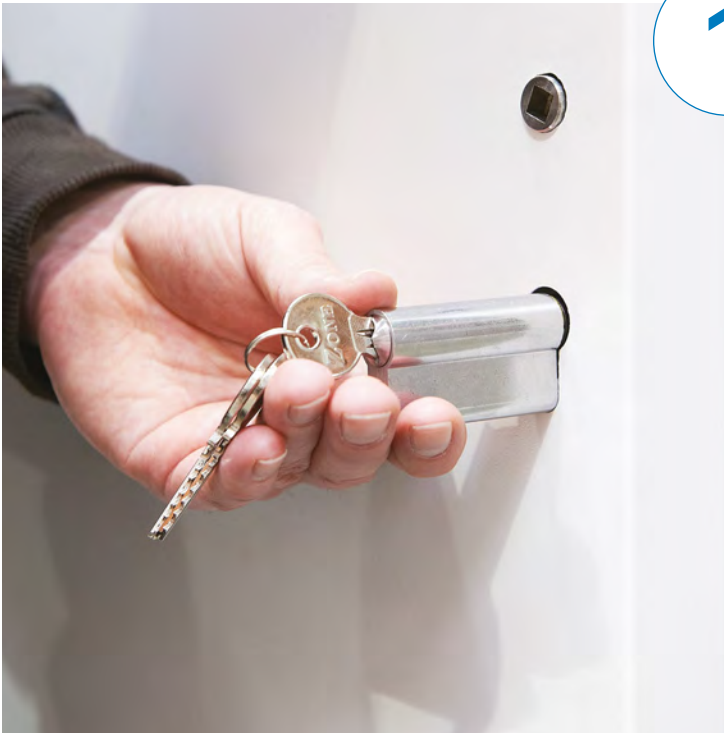
<b>Standard</b>	65mm Long	55/10 Split
<b>Concealed</b>	50mm Long	40/10 Split
<b>47-48db</b>	80mm Long	70/10 Split
<b>47-48db Concealed</b>	65mm Long	55/10 Split



2

## Fix the cylinder in place

The cylinder is held into place using an M5×20mm screw supplied loose with the cylinder.



## 3

## Activating the Cylinder



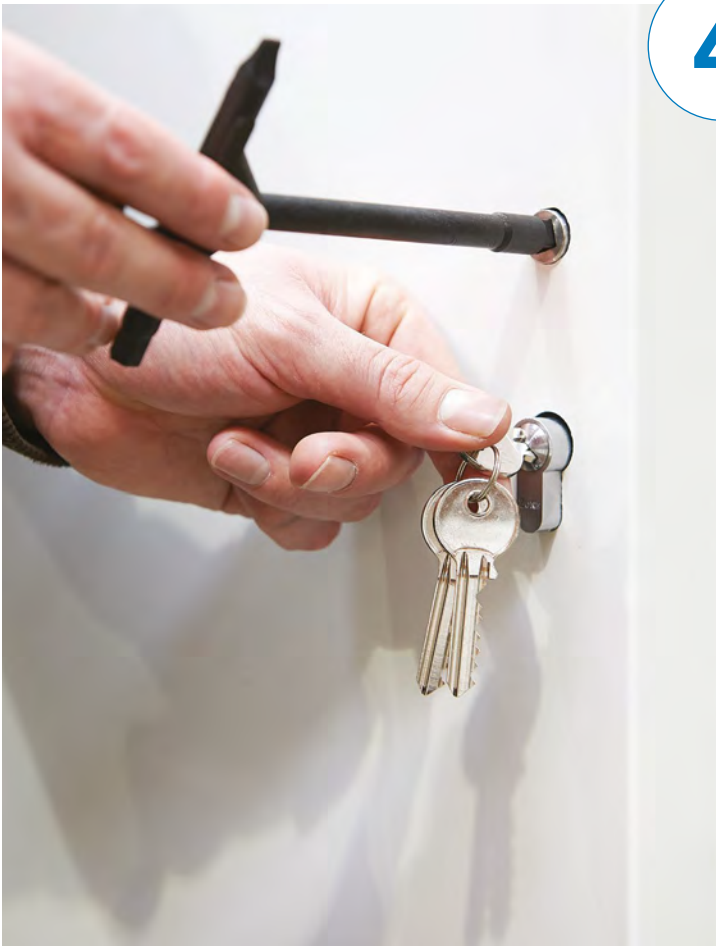
To activate the Cylinder the activation screw needs to be removed from the back of the lock as shown.

**IMPORTANT**

Only do this once ready to be used as the **activation cannot be reversed.**

## 4

## Check operation



The 3 point lock can only be operated while the key is turned in the cylinder.

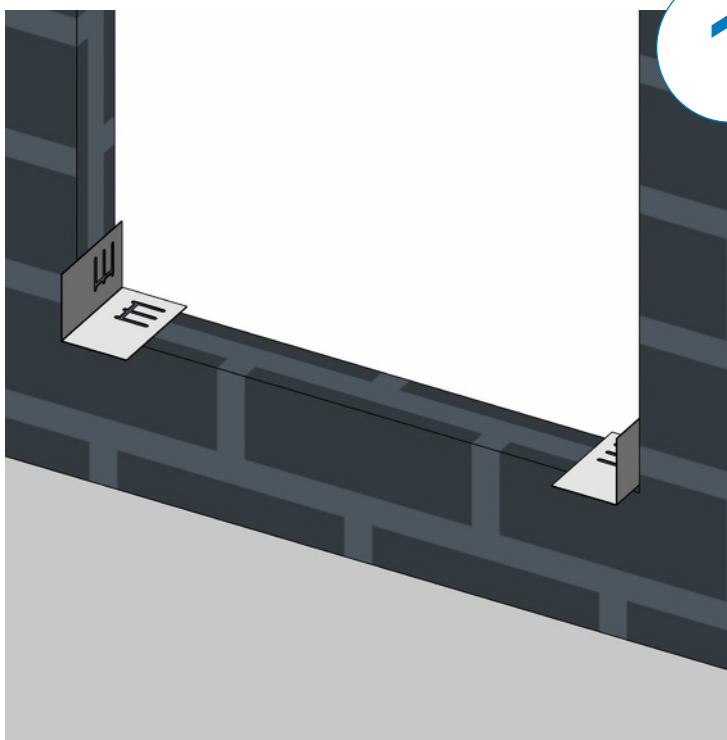
The key cannot be removed from the lock until the 3 point lock has been turned to the lock position.

**IMPORTANT**

Once installed; please ensure that all the steps within the **post installation checklist** (shown on back cover/final page) are completed to ensure safety and compliance.

# Nulfire™ installation

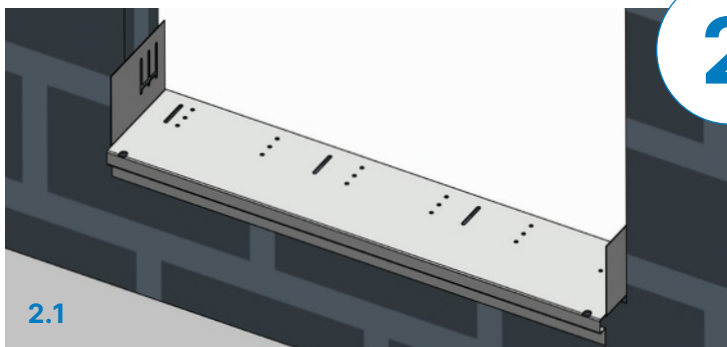
Complete the following before installing your Quadra+ Riser Doorset.



1

## Place corners

Place a **Corner Piece** in the bottom two corners of the opening.



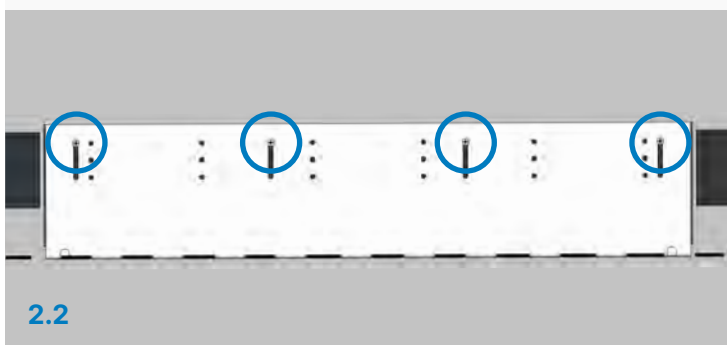
2.1

2

## Bottom liner

**2.1** Lay the **Bottom Liner** on top of the **Corners**.

**2.2** Ensure the bottom liner is centralized across your opening and is aligned to your required finished wall plane. Screw-fix through the slots using **6.3mm x 50mm Concrete Screws**.



2.2



3

### Verticals

Place the two **Vertical Liner** sections into place, sliding the **top two Corner Pieces** behind.

Ensure the **Vertical Liners** are aligned with the **Bottom Liner**, then screw-fix through the slots as shown using **6.3mm x 50mm Concrete Screws**.

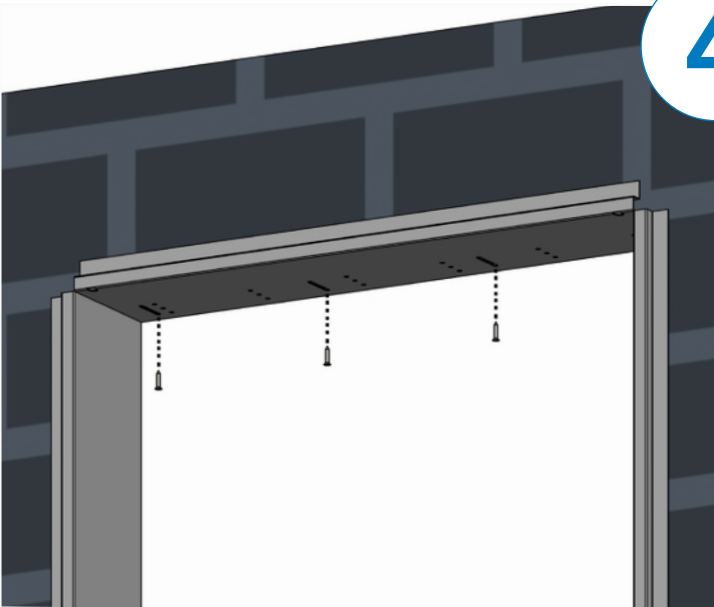


4

### Top liner

Fix the top liner into place through the slots using **7.5mm x 100mm Concrete Screws**.

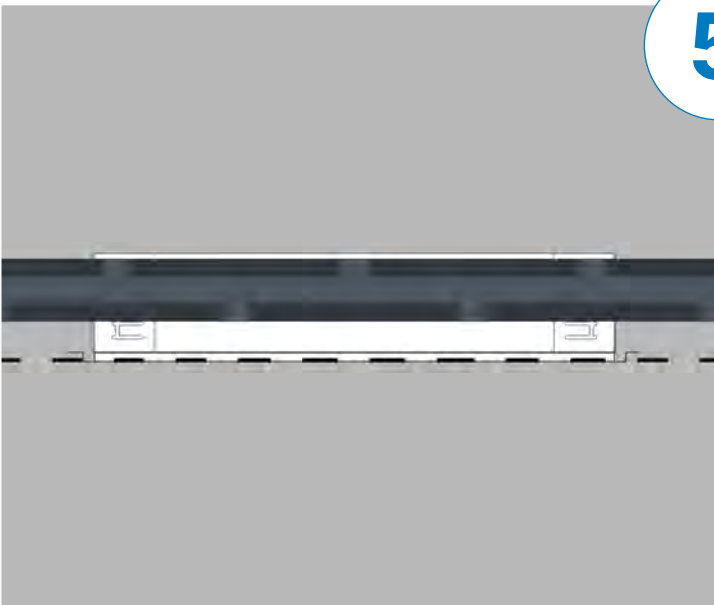
Ensure it is aligned with the rest of the frame.



5

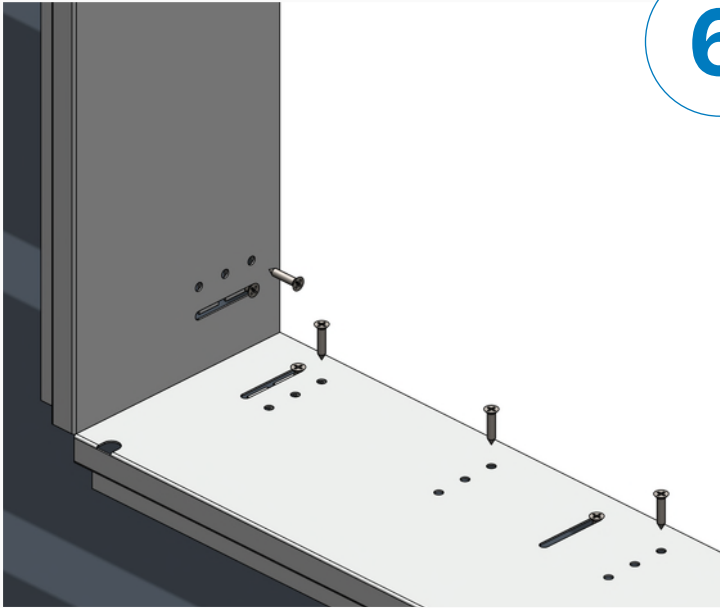
### Alignment

Check that the frame is still aligned to the required finished wall plane.



## 6

### Final frame fixings



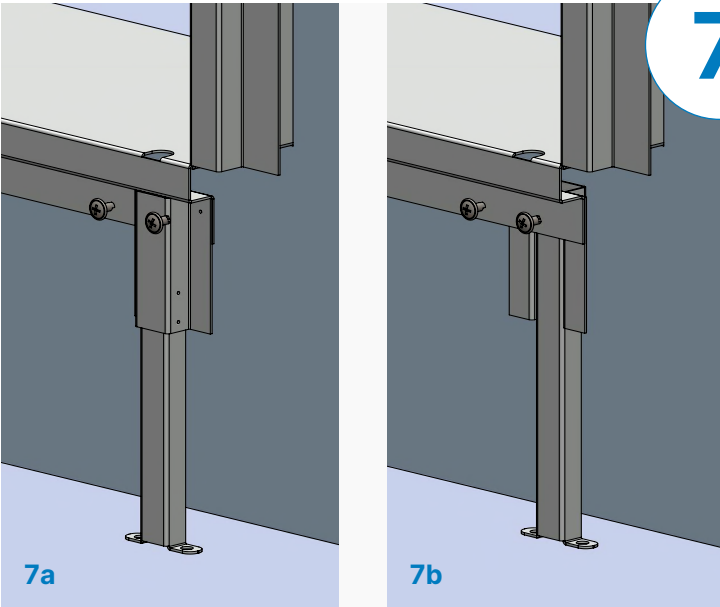
Screw through the **Frame Holes** to permanently lock the frame in place. Only **one fixing per row** is required (choose the best located hole).

#### IMPORTANT

Use screws of suitable type for the substrate.

## 7

### Frame legs



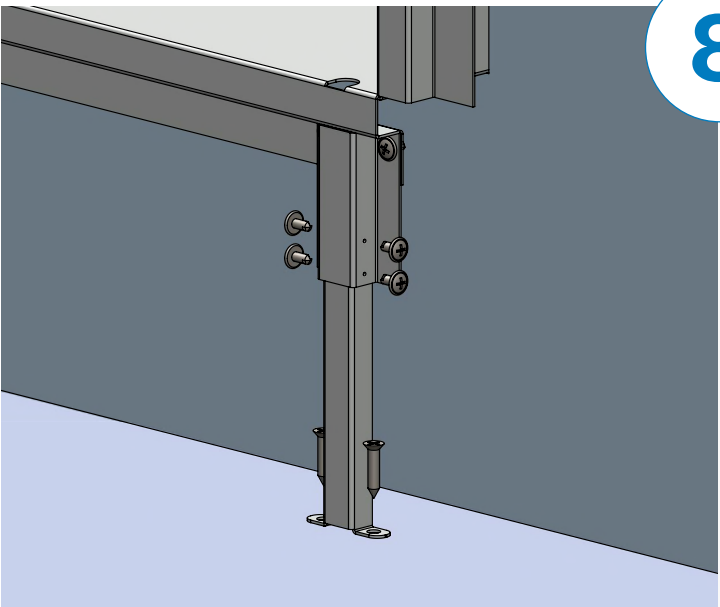
Screw all the supplied **Frame Legs** into the underside of the **Frame**.

**7a** It is the recommended configuration to fit the legs to the face of the frame as shown.

**7b** However, if required, the legs can be fitted to the reverse of the frame as shown.

## 8

### Frame feet

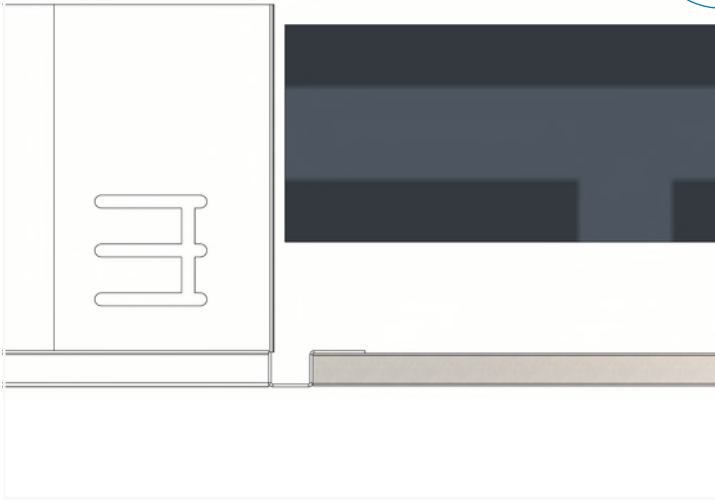


Screw-fix all the supplied **Feet** to the **Floor** using Screws of suitable type for the substrate.

Screw through the **Frame Leg** to secure the **Feet**.

## 9

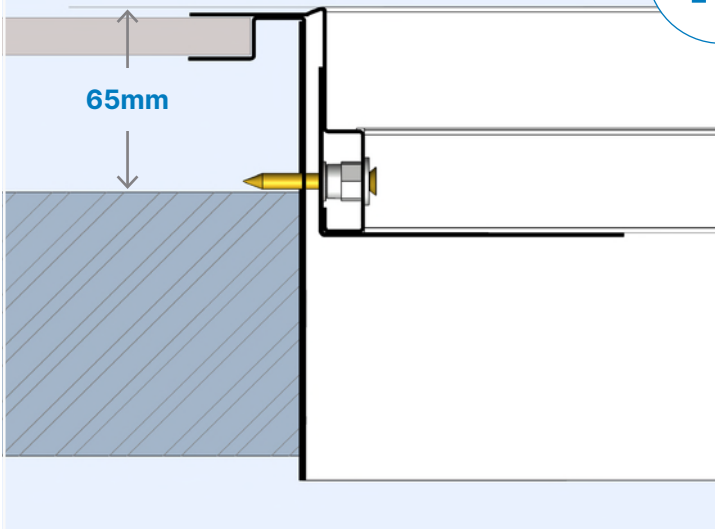
## Plasterboard



**Plasterboard** the wall up to the level of the Nulfire Liner.

## 10

## Prepare for doorset

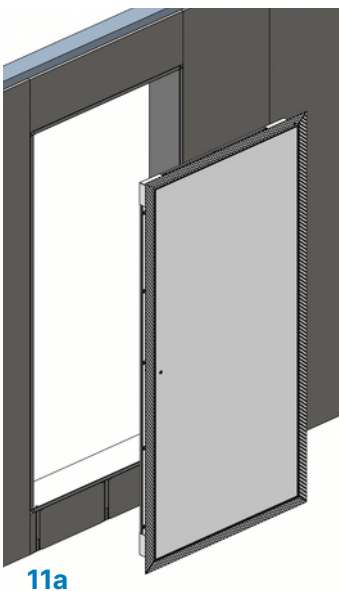


When installing the Quadra into the Nulfire, if the **protrusion from edge of bead to supporting construction is 65mm or greater, no wall plug is required.** (As illustrated)

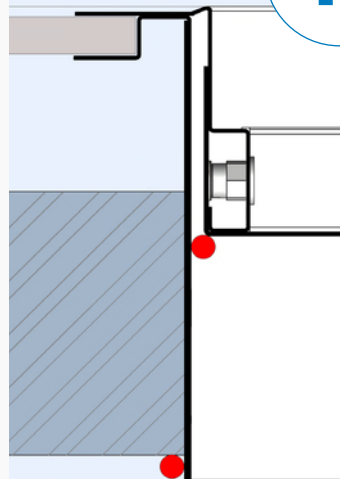
If the **protrusion is 0-35mm, drill and plug the supporting construction** before screwing. **36mm to 64mm** will require the **screw to be angled** to avoid the supporting construction.

## 11

## Install doorset and apply intumescent mastic



11a



11b

**11a** You are now ready to **install the Quadra+** doorset.

**11b** Once the doorset has been installed, a **continuous bead of intumescent mastic** is to be applied to the **back edge of the Nulfire frame and the Quadra+ frame**, as shown.

To achieve a fire rating, it will require 'Mann McGowan Pyromas A' / 'Everbuild Everflex Fire Mate Acrylic Intumescent Sealant' or an intumescent sealant that has been tested in the same situation.

**IMPORTANT**

**Do NOT use any type of expanding foam** to install the doorset.

# Quadra+ Temporary Door Leaf (TDL)

Follow the additional steps below If a TDL has been specified for installation:



1

## Install Threshold Cover

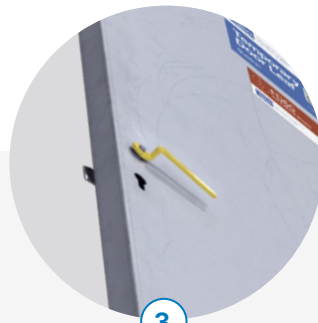
The protection plate fits neatly over the threshold. Frame fixings to be installed through cover and into surround.



2

## Install TDL

Follow the door leaf installation steps shown on **page 4** to install / remove the TDL.



3

## 3-point Budget Lock

The lock is operated by the handle to lock and unlock the door. (Eurocylinder option shown)



## Remaining construction can now take place in and around the riser

Once the tape-and-joint (or skim) is complete and the finished doors are on site the TDL can be removed.

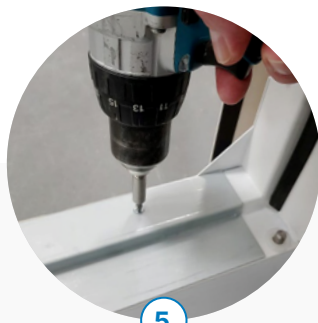
**Follow steps 4-7 below**



4

## Door Removal

Remove the door by depressing the pin and lifting off the door. (Door can then be recycled)\*



5

## Threshold Removal

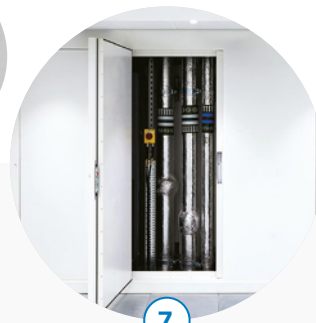
Remove the fixings and lift away the protection. Clean the threshold of the permanent frame. Reinstate frame fixings.



6

## Apply Threshold Seal

Fit seal to the door stop of the threshold with the larger part of the seal adjacent to the bottom edge of the stop.



7

## Hang Permanent Door

Hang the permanent door in its place. The Quadra+ doorset is ready.

**Please complete the Post Installation Checklist.**

\*Contact Selo to assist with **disposal and recycling** of door leaves.  
**call** 020 3880 0339 / **email** sales@selo-uk.com



Scan QR code for further Quadra+ TDL product details.







© 2015 by Selco. All rights reserved.

No part of this publication may be reproduced in any material form (including photocopying or storing it in any medium by electronic means and whether or not transiently, or incidentally to some other use of this publication) without the written permission of the copyright owner. Application for the copyright owner's permission to reproduce any part of this publication should be addressed to Selco. Selco reserves the right to alter specification and designs without prior notice.



**Post installation checklist required upon completion to ensure safety and compliance. The checklist should also be completed periodically, every 6 months.**

Item check	Requirement	✓ or X	Initials
Intumescent seal	<b>Gaps between the frame and the wall should not exceed 10mm.</b> This gap should be filled with a bead of suitable Acrylic intumescent sealant, unless the frame is pre-intumesced with Quench®.		
Door gap	<b>3mm +/-1mm</b>		
Appropriate door stop fixings used	Every hole in the door stop must be fixed with steel screws that penetrate the stud by <b>min. 35mm</b> . Stop fixings should not be overtightened distorting any part of the frame.		
Appropriate plaster bead fixings used	Must be <b>75mm long</b> steel fixings. No more than <b>450mm apart</b> and <b>maximum 150mm from corners</b> .		
Frame is square to wall	Ensure frame is not distorted during installation, so the gap between the door stop and the rear of the door remains at <b>2-4mm</b> and is consistent across the full height of the door. <b><u>Do not use expanding foam of any kind.</u></b>		
Seals present all around the Quadra+ frame	Seals should be present and intact all around the frame stop to seal the perimeter of the door when closed.		
Top edge of meeting doors	Top edges of double-doors (+multiples) should be level and parallel with the frame.		
Nylon bearing washer	Each door should have a nylon bearing washer fitted to the bottom pivot pin located at the heel edge of the door.		
Door operation	Door must open and close securely, flush with wall and adjacent doors.		
Top and bottom pivot	The top pivot should be fully engaged into the frame with the release bar fully-up and into it's locked position. The door should be fully located on the bottom bearing washer and pin.		
3 point lock	Operation of the full function and engagement of the 3 point locking on <b>each</b> door. Check all lock fixing bolts are secure.		
Euro cylinder (Optional specification)	Check function of the eurocylinder and that the retaining screw fitted is <b>M5 x20mm Pan head</b> . (Longer screws prevent lock from functioning)		
Lock turn	Check lock turn is flush with face of door.		
Label	Check the label declaring fire rating is fitted to the rear of the door.		

Site	Door ID	Signed	Date