

selo®

Concealed Frame Doorsets
Riser Doors & AOVs

Quadra+® Lift Shaft

Emergency Escape / Access & Inspection Doors

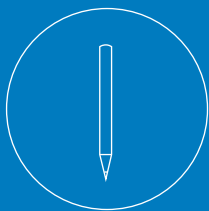


[Installation instructions](#)

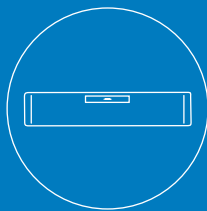
Thank you for choosing Quadra+ Lift Shaft

We recommended you read this guide in full before you begin.

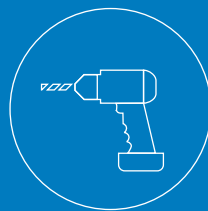
Tools required



Pencil



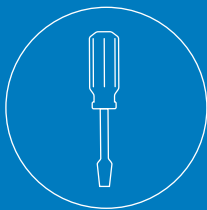
Spirit level



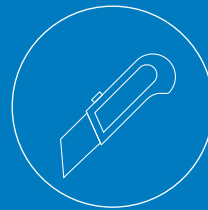
Cordless screwdriver



Tape measure



Screw driver



Knife

IMPORTANT - Fire rating notice

The fire rating of any doorset is subject to a number of factors, including:



1. The design/workmanship of other work, in particular the partitions into which the doorset is fixed.)
2. The doorset being installed in accordance with the installation instructions.

The Quadra+ system can be fitted to either studwork or masonry walls, you will need to ensure the wall itself meets the correct fire resistance performance.

Please consult Selo for advice and guidance to ensure the fire performance is met.

tel 020 3880 0339 **email** sales@selo-uk.com

Installation guidance

Please ensure you follow the pre and post installation guidance below to ensure successful application.

Wall preparation

The wall construction will need to be constructed to suit the fire rating specified. If using a steel stud partition then a timber insert on the four sides of the opening needs to be fitted to ensure sufficient fixity.

Note

Some shaft wall partitions will not require the timber insert, please consult Selo for guidance and advice.

Doorset specifications

The Quadra+ Lift Shaft doorset will come fully protected with polystyrene corners and heat shrink wrapped in heavy duty polythene. Ensure the door specifications shown on the printed label correspond with your project schedule.

Post installation checklist

Once installed; please ensure that all the steps within the post installation checklist (shown on back cover/final page) are completed to ensure safety and compliance.



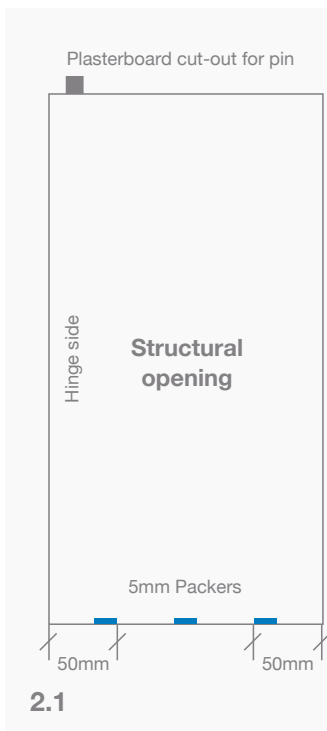
Single door installation



1

Check opening

It is very important to ensure that the opening is square and level and the opening dimensions are correct.



2

Place the doorset in the opening

2.1 Ensure the aperture is both square and 10mm larger than the frame; place **3 x 5mm** packers along the bottom, **50mm** from each end plus one in the centre.

2.2 Fit 3mm packers between the frame and door so there is no movement between them. Lift the doorset into the opening ensuring it is central.

IMPORTANT

You will need to cut away a small part of the plasterboard at the head where the pivot pin will sit. This allows for the full travel of the pivot pin.

3

Fix in place



Plumb the hinge jamb with a level or laser and fix into place with 4-6 screws depending on the height of the door.

Fix through the perforated flange.

IMPORTANT

If fire rated; steel fixings must be **75mm long**.

For optimum results a **4.2mm dia. screw** is recommended.

4

Fix the opposite side



Ensure there is a consistent gap around the door and fix the opposite side in the same way.

5

Check operation



Open and close the door to ensure it doesn't rub or catch on the frame. Adjust if necessary. Check pivot-pin is **fully engaged** upwards and that the pivot lever can move across to its locked position. If it does not, remove frame and make clearance.

Installation tips

- › If the door needs lifting slightly to make the gaps even, then use the extra half thickness washer on the bottom pivot.
- › If there appears to be excess play in the top pivot pin check the pin is screwed in tight by turning clockwise.



6

Frame fixings

Fix through the perforated flange every **450mm** and **150mm** from any corner.

IMPORTANT

If fire rated; steel fixings must be **75mm long**.

For optimum results a **4.2mm dia.** screw is recommended.



7

Final frame fixings

Fix through **every hole** of the doorset frame.

IMPORTANT

Fixings must penetrate the wall by a **min. 35mm**.

Trim back any Packers to allow for coverage with intumescent sealant when applied. **DO NOT** use expanding foam to install the doorset unless approved by Selo.



8

Tape & Joint/Plaster

Apply fibre tape to all four sides. The tape should be half on the perforated flange and half on the plasterboard face. Once the Quadra+ Lift Shaft doorset is installed, tape & joint or plaster up to the perforated flange to conceal the frame.



9

Painting & Decoration

Doorsets with a Textured finish can be overpainted with the wall to conceal the door (water-based emulsion only). The Textured finish provides the key to the paint, the only preparation work required is to clean the door frame of dust and debris. If wallpapering; please seek approval from Selo as to suitability for fire rating.

10

Fire rating

**Pre-intumesced frame**

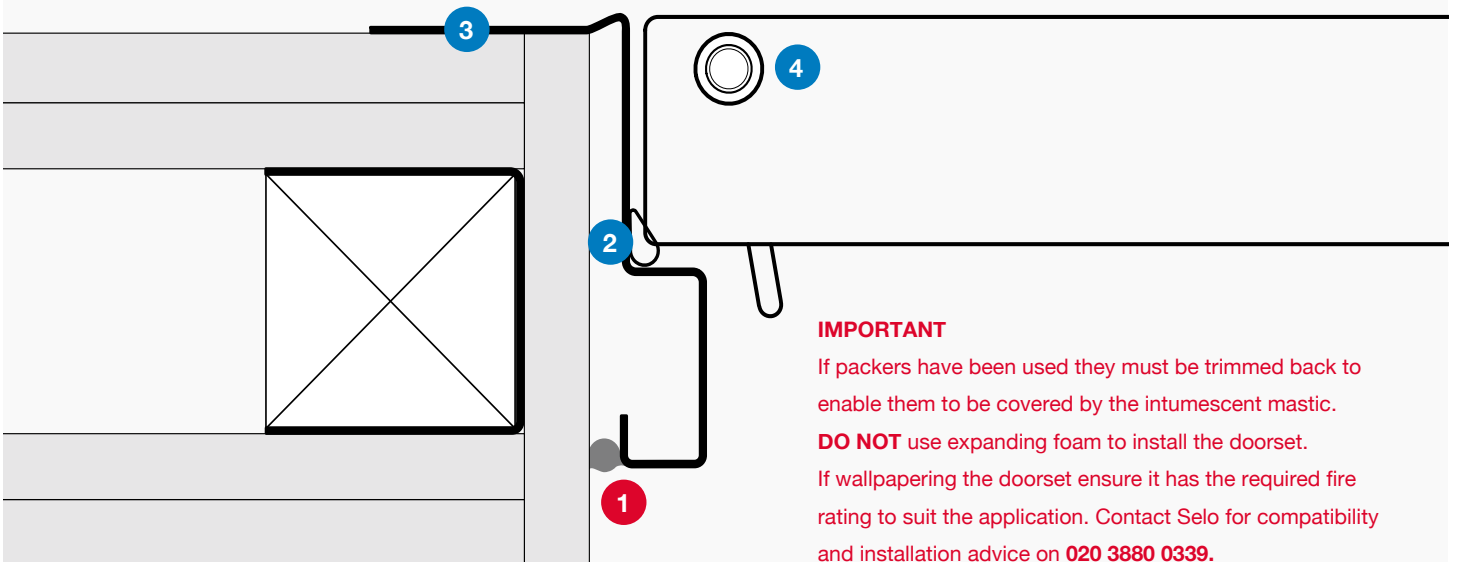
If specified, the doorset will be provided with the intumescent fire stopping material fixed into place. There is no need to apply any additional sealant.

To ensure compliance, check the inner frame of your Quadra+ Lift Shaft doorset to ensure the red approval sticker (below) is present.

**Standard frame**

To achieve a fire rating on a standard frame it will require 'Mann McGowan Pyromas A' / 'Everbuild Everflex Fire Mate Acrylic Intumescent Sealant' or an intumescent sealant that has been tested in the same situation applied to the back edge of the frame as shown below.

- 1 Intumescent sealant to rear of frame
- 2 Silicone smoke seal
- 3 Fixing-flange frame
- 4 Pivot hinge location point

**IMPORTANT**

If packers have been used they must be trimmed back to enable them to be covered by the intumescent mastic.

DO NOT use expanding foam to install the doorset.

If wallpapering the doorset ensure it has the required fire rating to suit the application. Contact Selo for compatibility and installation advice on **020 3880 0339**.

Hanging/removing door leaf

The Quadra+ Lift Shaft system uses a pivot pin hinge system for ease of installation.

1

Base Pivot



Place the door leaf on the **bottom pivot pin** and lift the door into place.

IMPORTANT

This is a two person operation.

2

Head Pivot



Using the **pivot pin** on the back of the door, pull across and downwards to **retract the head pin**.

Insert the door leaf into the frame and locate the **head pivot** mounting point. Once in position re-extend the pin securing it to the frame, then slide **across and up** to lock the pin into position.

To remove the door simply reverse the steps.

3 point lock

Quadra+ Lift Shaft comes pre-fitted with a 3 point locking system.

1

Standard Lock

The Quadra+ Lift Shaft doorset uses a 3 point locking system.

1.1 Externally the Lift Shaft door is operated by a triangular euro key.

1.2 Internally the Lift Shaft door is operated by a yellow door handle as shown.



2

Check Lock and Handle function

Inside the shaft

Rotate the yellow handle from vertical to the horizontal position to open the door.

Outside of the shaft

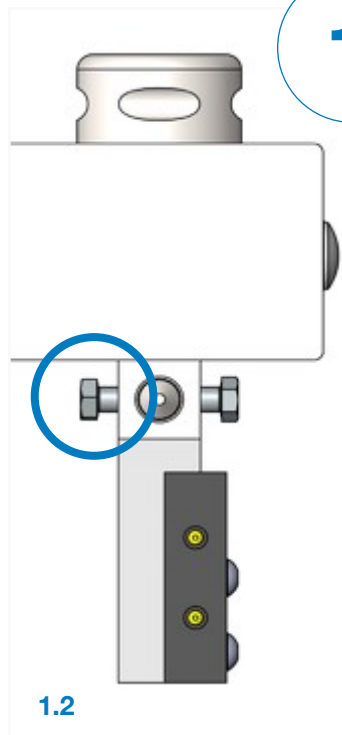
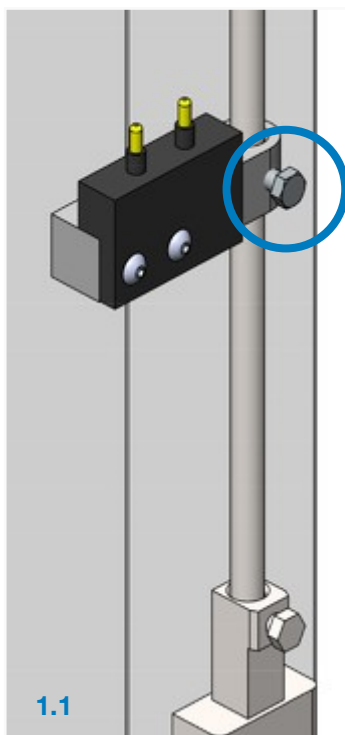
To lock, close the door and without the key push and rotate the doorknob away from the hinged side until the lock is fully thrown.

Unlock the door using triangular euro key rotating the key towards the hinged side, repeat the process in reverse to re-lock the door.



Lift shaft switch (if specified)

The Quadra+ Lift Shaft system can be specified to use a door open switch sensor.

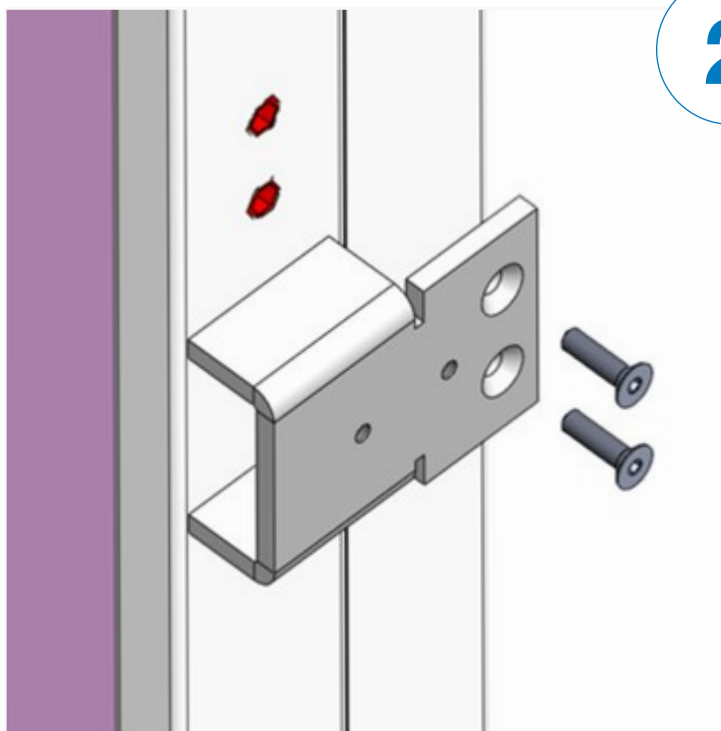


1

Fold-out Male Switch Assembly

1.1 Loosen switch bolt and fold-out **Male Switch Assembly** perpendicular to the door.

1.2 Insert the second **switch bolt** and finger tighten both onto **locking rod**. Position the **Male Switch Assembly** so it is approximately **190mm** from lock centre.



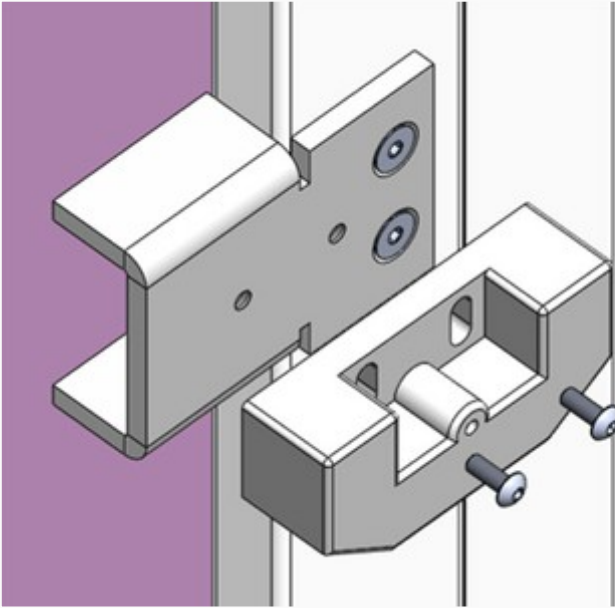
2

Install Female Mounting Plate

Screw fix the **Female Mounting Plate** using **x2 M4 x 15mm Bolts** (supplied) into the pre-installed nuts within the frame.

3

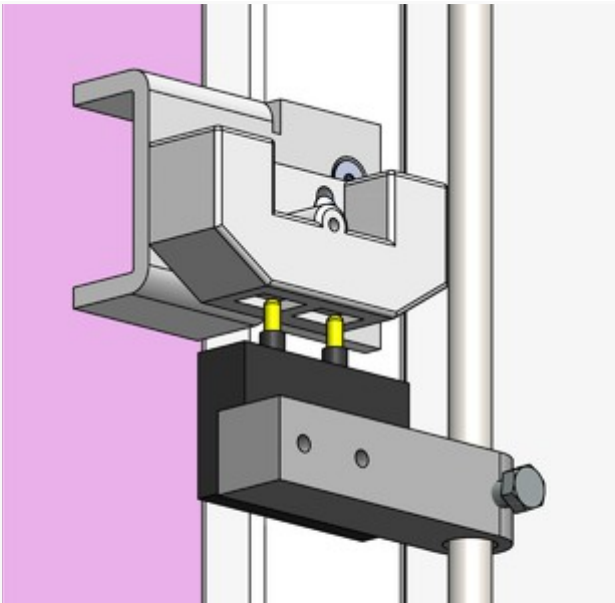
Install Female Switch



Screw fix the **Female Switch** using **x2 M3 x 8mm Bolts** (supplied) into the **Mounting Plate**

4

Set Male Switch Assembly height

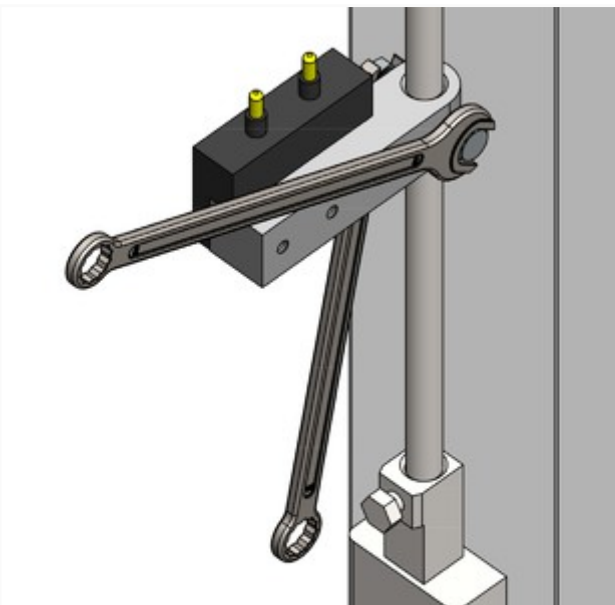


Ensure the height of the **Male Switch Assembly** is correct so that it engages the **Female Switch**.

Adjust position on **Lock Rod** if necessary.

5

Tighten Switch Bolts



Once satisfied that the position is correct, tighten the **Switch Bolts** to complete installation.

IMPORTANT

Once installed; please ensure that all the steps within the post installation checklist (shown on back cover/final page) are completed to ensure safety and compliance.

Quadra+ Lift Shaft

Post installation checklist required upon completion to ensure safety and compliance. The checklist should also be completed periodically, every 6 months.

Item check	Requirement	✓ or X	Initials
Intumescent seal	Gaps between the frame and the wall should not exceed 10mm. This gap should be filled with a bead of suitable Acrylic intumescent sealant, unless the frame is pre-intumesced with Quench®.		
Door gap	3mm +/-1mm		
Appropriate door stop fixings used	Every hole in the door stop must be fixed with steel screws that penetrate the stud by min. 35mm . Stop fixings should not be overtightened distorting any part of the frame.		
Appropriate plaster bead fixings used	Must be 75mm long steel fixings. No more than 450mm apart and maximum 150mm from corners .		
Frame is square to wall	Ensure frame is not distorted during installation, so the gap between the door stop and the rear of the door remains at 2-4mm and is consistent across the full height of the door. <u>Do not use expanding foam of any kind.</u>		
Seals present all around the Quadra+ frame	Seals should be present and intact all around the frame stop to seal the perimeter of the door when closed.		
Top edge of meeting doors	Top edges of double-doors (+multiples) should be level and parallel with the frame.		
Nylon bearing washer	Each door should have a nylon bearing washer fitted to the bottom pivot pin located at the heel edge of the door.		
Door operation	Door must open and close securely, flush with wall and adjacent doors.		
Top and bottom pivot	The top pivot should be fully engaged into the frame with the release bar fully-up and into it's locked position. The door should be fully located on the bottom bearing washer and pin.		
Check lock and handle function	From inside the shaft rotate the yellow handle from the vertical position to the horizontal to open the door. To lock the door from outside the shaft, close the door and without the key push and rotate the door knob away from the hinged side until lock is fully thrown. From the outside of the shaft unlock the door using triangular euro key rotating the key towards the hinged side. From outside of the shaft use the triangular euro key to lock the door.		
Label	Check the label declaring fire rating is fitted to the rear of the door.		
Electrical safety switch	Check with lift shaft engineer for fitment of an Electrical Safety Switch.		

Site	Door ID	Signed	Date