

selo[®]

Concealed Frame Doorsets
Riser Doors & AOVs

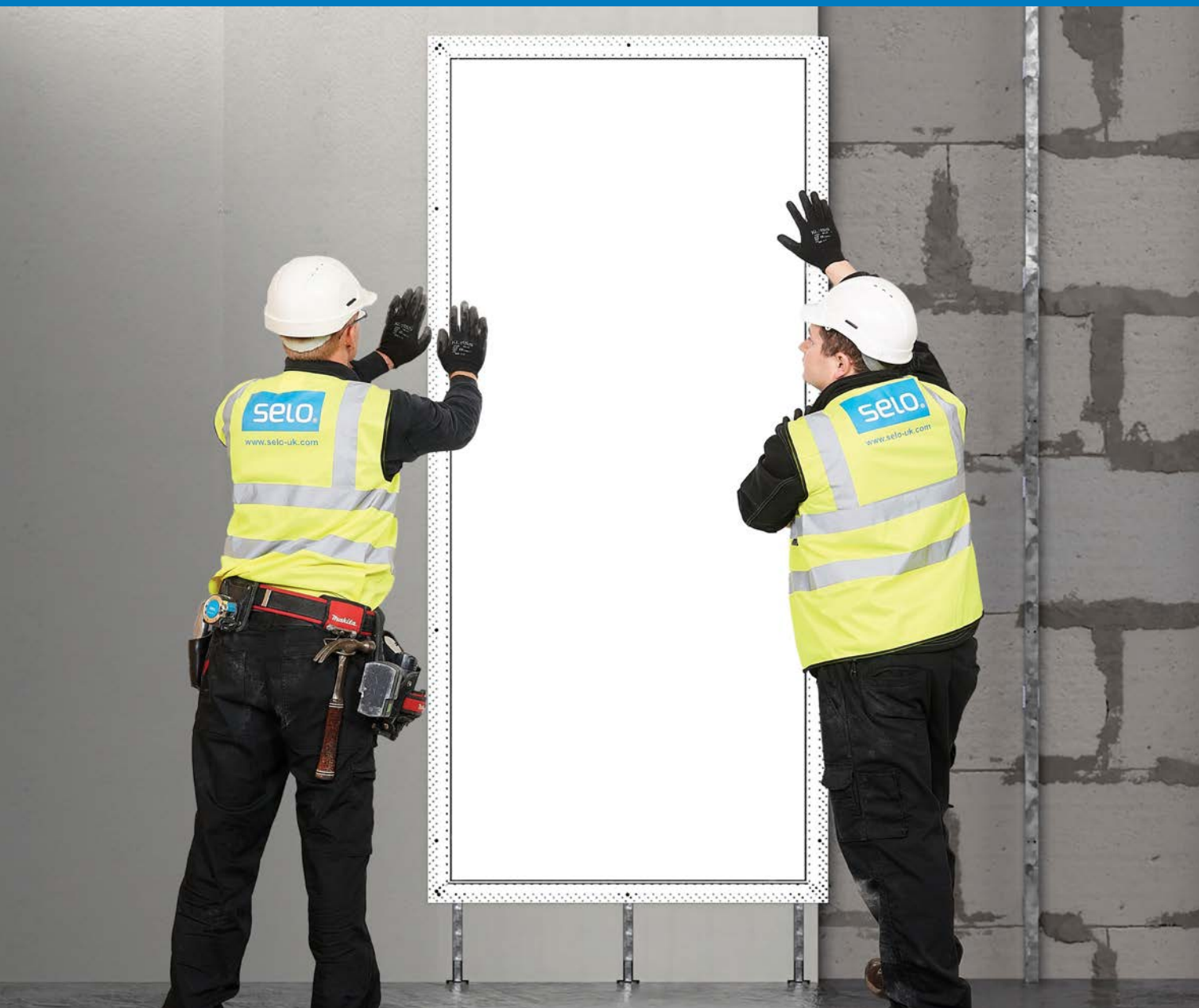
halo
assist

Installation supportline:

call 020 3880 0339

Nulfire[™]

Riser Doorset Liners



Installation instructions

Thank you for choosing **Nulfire**™

To ensure the installation process is simple and efficient we recommended you read this guide in full before you begin.

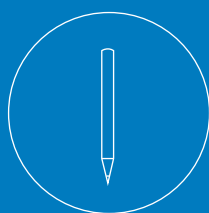
Tools required



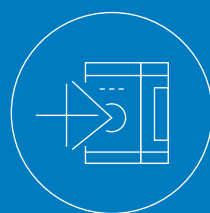
Knife



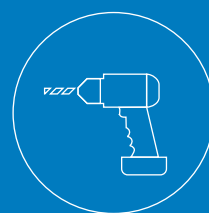
Tape measure



Pencil



Laser level



Cordless drill-driver

IMPORTANT - Fire rating notice

The fire rating of any product is subject to a number of factors, including:



1. The design/workmanship of other work, in particular the partitions into which the doorset is fixed.)
2. The product being installed in accordance with the installation instructions. The Nulfire system can be fitted into brickwork and blockwork, light weight cast concrete, and cast concrete. You will need to ensure the wall itself meets the correct fire resistance performance.

Please consult Selo for advice and guidance to ensure the fire performance is met.

call 020 3880 0339 **email** sales@selo-uk.com

Installation guidance

Please ensure you follow the pre installation guidance below to ensure successful application.

Wall preparation

The main wall construction will need to be constructed to suit the fire rating specified. The Nulfire system can be fitted into brickwork and blockwork, light weight cast concrete, and cast concrete – when this is on all four sides. Allowing projection of the doorset from the fire-resistant main wall, so that a non-fire rated wall lining system can be used in front of the fire rated wall.

Doorset specifications

Ensure the specification shown on the printed label corresponds with your project schedule.

When fitting the Quadra+ to the Nulfire, use self-drilling self-tapping screws. If the screws will collide with the main wall – use suitable holes and plugs.

Fixings

Screw fixings used during installation must be:

- › **6.3mm x 50mm Concrete Screws**
- › **7.5mm x 100mm Concrete Screws**

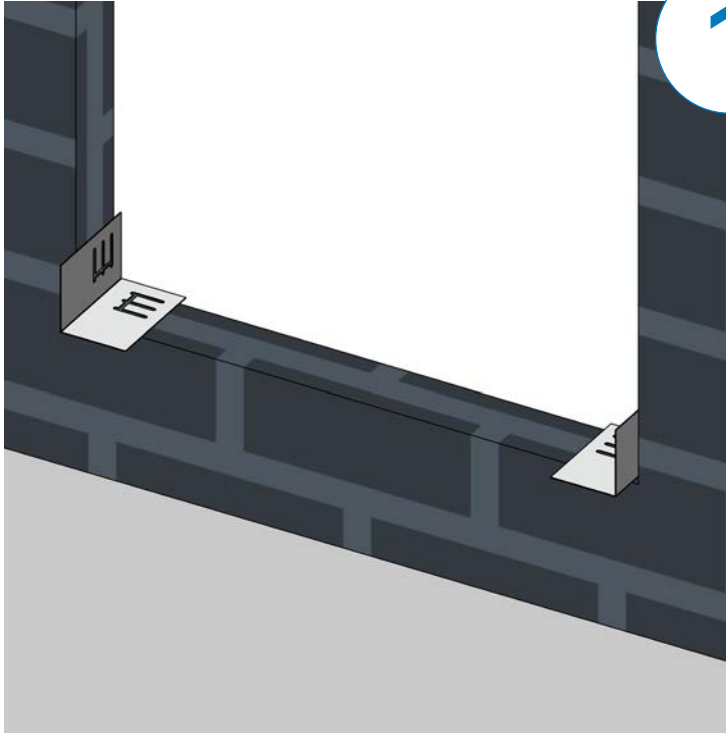
Nulfire™ installation

Complete the following before installing your Quadra+ Riser Doorset.

1

Place corners

Place a **Corner Piece** in the bottom two corners of the opening.



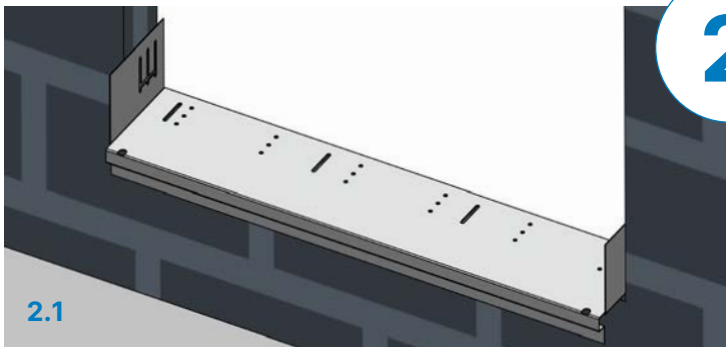
2

Bottom liner

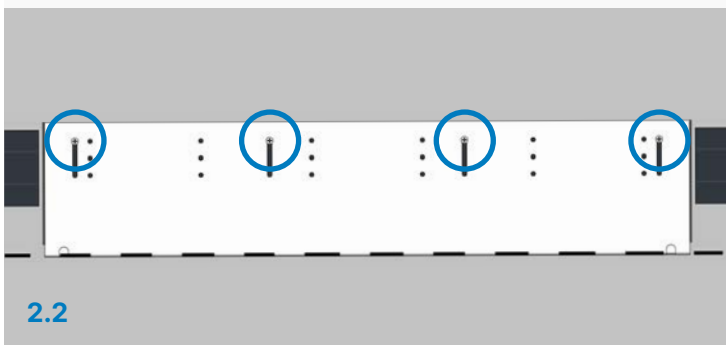
2.1 Lay the **Bottom Liner** on top of the **Corners**.

2.2 Ensure the bottom liner is centralized across your opening and is aligned to your required finished wall plane. Screw-fix through the slots using **6.3mm x 50mm Concrete Screws**.

2.1



2.2



3

Verticals

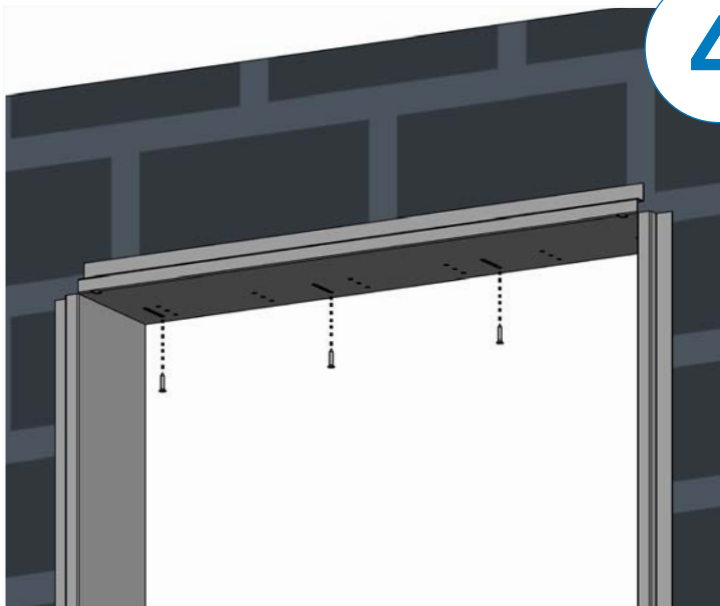


Place the two **Vertical Liner** sections into place, sliding the **top two Corner Pieces behind**.

Ensure the **Vertical Liners** are aligned with the **Bottom Liner**, then screw-fix through the slots as shown using **6.3mm x 50mm Concrete Screws**.

4

Top liner

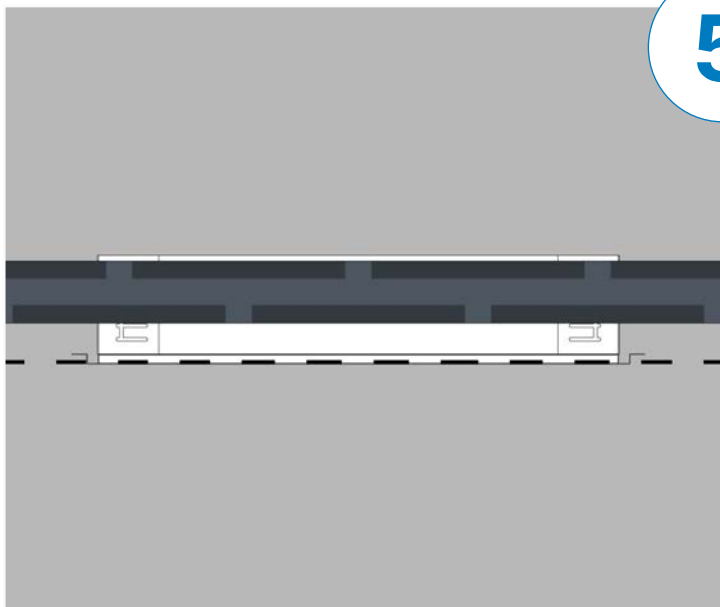


Fix the top liner into place through the slots using **7.5mm x 100mm Concrete Screws**.

Ensure it is aligned with the rest of the frame.

5

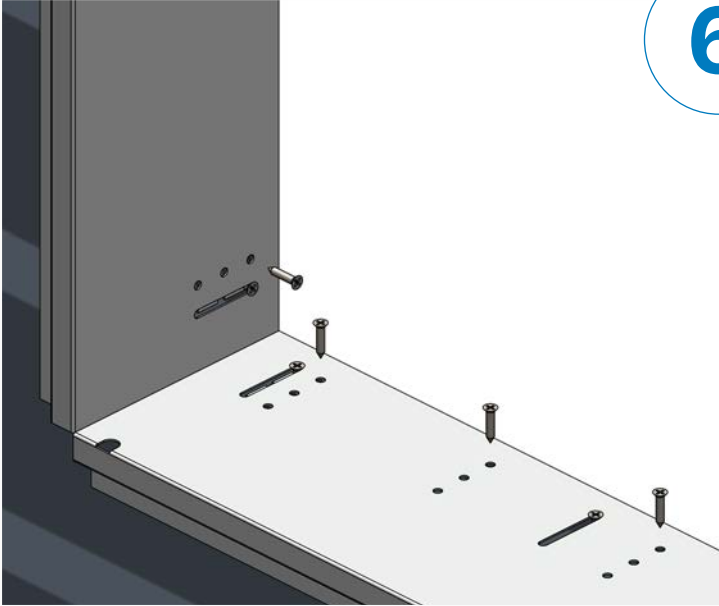
Alignment



Check that the frame is still aligned to the required finished wall plane.

6

Final frame fixings



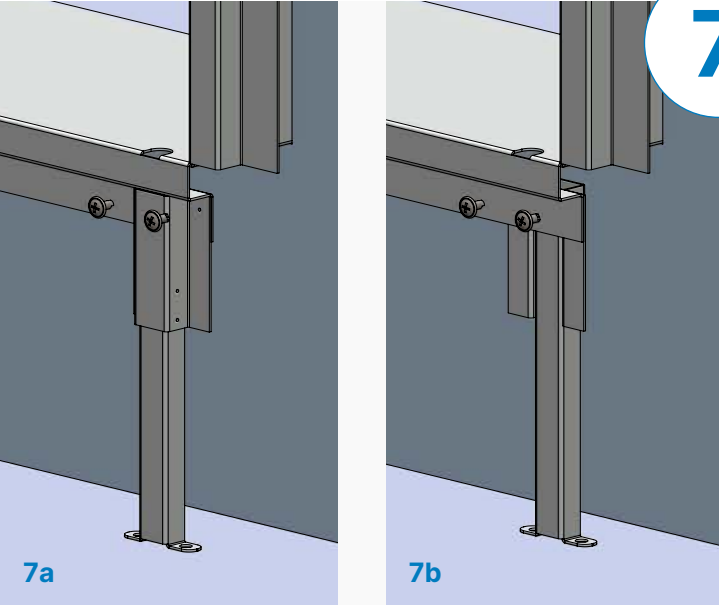
Screw through the **Frame Holes** to permanently lock the frame in place. Only **one fixing per row** is required (choose the best located hole).

IMPORTANT

Use screws of suitable type for the substrate.

7

Frame legs



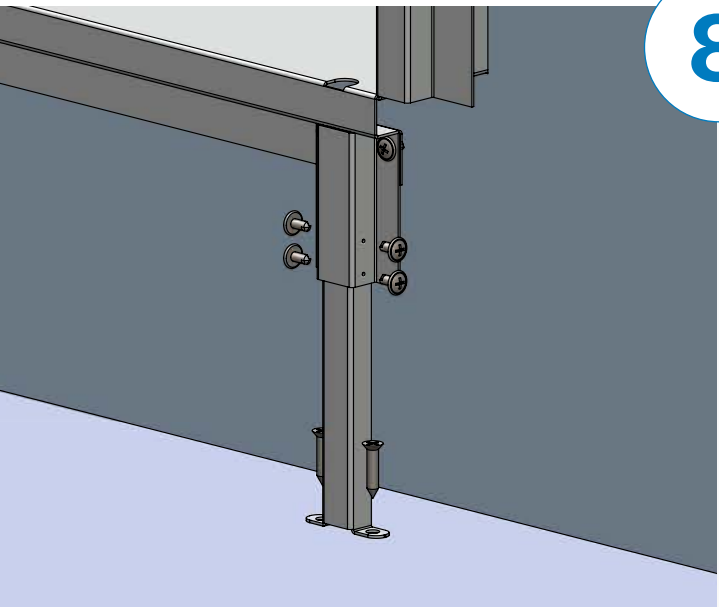
Screw all the supplied **Frame Legs** into the underside of the **Frame**.

7a It is the recommended configuration to fit the legs to the face of the frame as shown.

7b However, if required, the legs can be fitted to the reverse of the frame as shown.

8

Frame feet

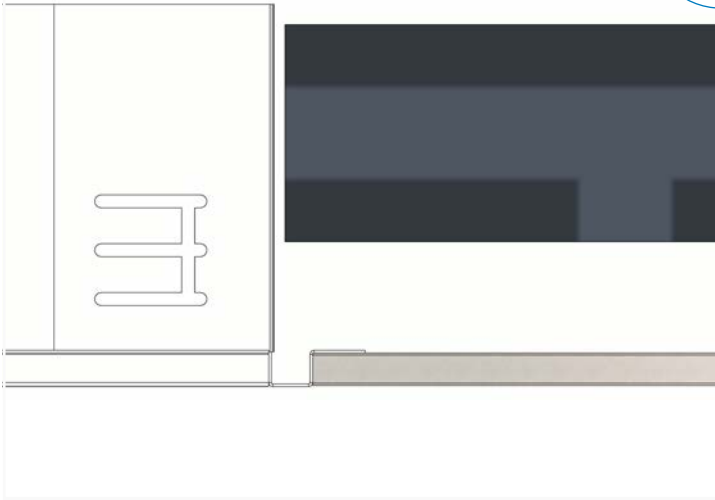


Screw-fix all the supplied **Feet** to the **Floor** using Screws of suitable type for the substrate.

Screw through the **Frame Leg** to secure the **Feet**.

9

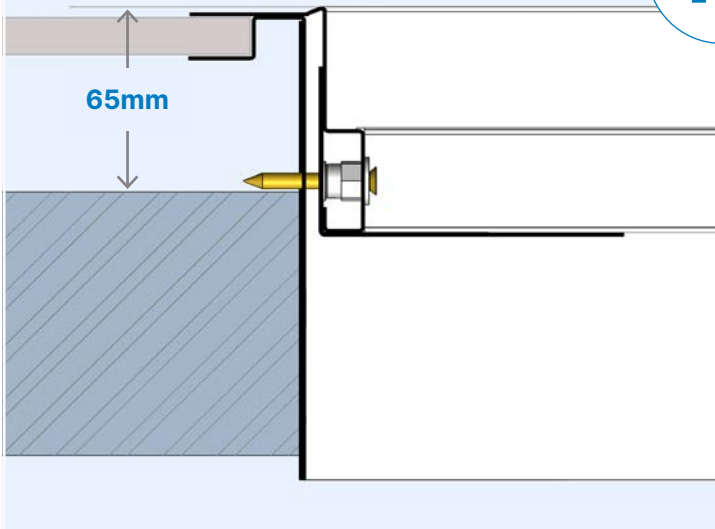
Plasterboard



Plasterboard the wall up to the level of the **Nulfire Liner**.

10

Prepare for doorset

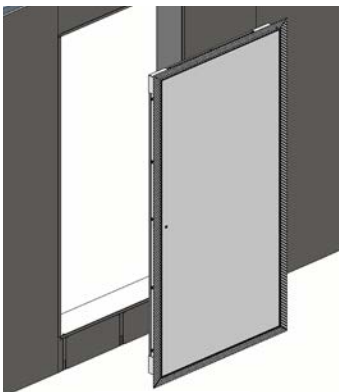


When installing the Quadra into the Nulfire, if the **protrusion from edge of bead to supporting construction is 65mm or greater, no wall plug is required.** (As illustrated)

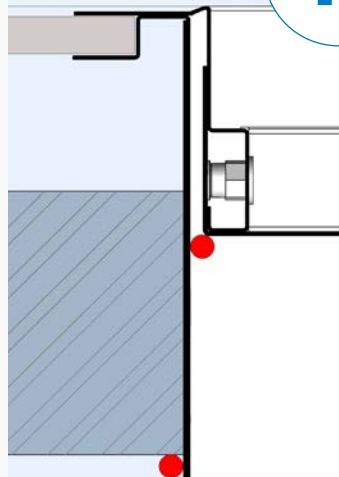
If the **protrusion is 0-35mm, drill and plug the supporting construction** before screwing. **36mm to 64mm** will require the **screw to be angled** to avoid the supporting construction.

11

Install doorset and apply intumescent mastic



Quadra+ Installation Guide



11b

11a You are now ready to **install the Quadra+** doorset.

11b Once the doorset has been installed, a **continuous bead of intumescent mastic** is to be applied to the **back edge of the Nulfire frame and the Quadra+ frame**, as shown.

To achieve a fire rating, it will require 'Mann McGowan Pyromas A' / 'Everbuild Everflex Fire Mate Acrylic Intumescent Sealant' or an intumescent sealant that has been tested in the same situation.

IMPORTANT

Do NOT use any type of expanding foam to install the doorset.

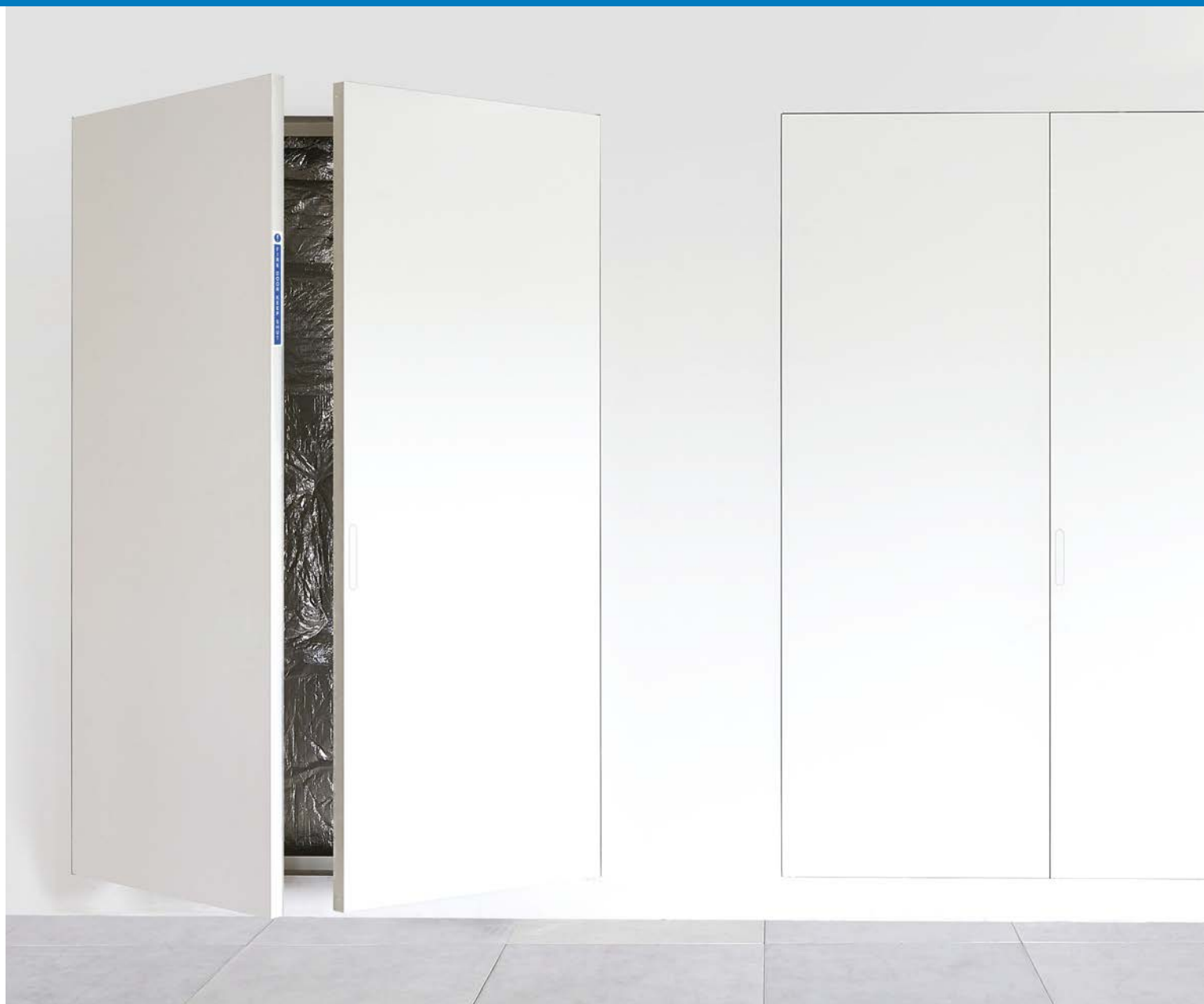
Product support

For help and advice with the installation of any Selo products, call our dedicated support team on **020 3880 0339**

© 2023 by Selo. All rights reserved.

No part of this publication may be reproduced in any material form (including photocopying or storing it in any medium by electronic means and whether or not transiently, or incidentally to some other use of this publication) without the written permission of the copyright owner. Application for the copyright owner's permission to reproduce any part of this publication should be addressed to Selo. Selo reserves the right to alter specification and designs without prior notice.

Rev 1.3 - April 2024
SEL-PRT-01367



selo[®]

call 020 3880 0339
email sales@selo-uk.com
www.selo.global

Selo
K2 Kents Hill Business Park Timbold Drive
Milton Keynes MK7 6BZ



Follow us on:

