

FumaC Smoke Control Damper

Concealed Single-blade Smoke Control Corridor Damper

Product Datasheet

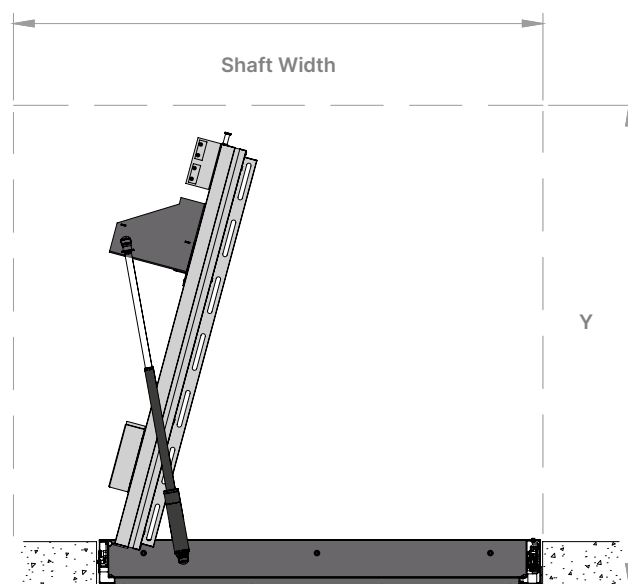
Specifications

CE Rating	EI 120 (ved i↔o) S 1000 C10 000 AA Multi
Acoustic Rating	No Rating Declared
Cycle Test Maximum	10,000 Certified to BS EN 12101-8:2011
Opening Angle	90° (Default)
Damper Type	Side Hung, Opening-In Smoke Control ONLY (Normal position closed) Mechanical and natural smoke extraction shafts multi compartment (Not for environmental ventilation)
Damper Weights	0.6m ² GA - 58kg 1.0m ² GA - 79kg
Damper Thickness	Damper Leaf - 100mm Damper Leaf +Actuator Projection - 270mm
Frame Type	Concealed 4-Sided
Finishes	<input type="radio"/> Deadmatt RAL 9010 (Standard) <input type="radio"/> Bespoke RAL (Available upon request)



Damper Sizes

0.6m ² GA	Damper Height	925mm
	Damper Width	760mm
	Structural Opening Height	1058mm
	Structural Opening Width	865mm
	Shaft Width	865mm
	Front of Profile to Back of Open Damper (Y)	920mm
1.0m ² GA	Damper Height	1275mm
	Damper Width	900mm
	Structural Opening Height	1408mm
	Structural Opening Width	1005mm
	Shaft Width	1005mm
	Front of Profile to Back of Open Damper (Y)	1060mm



Bespoke sizes on request between the above sizes. If large size, Dampers can be double stacked with a 300mm gap between.

selo

call 020 3880 0339
email sales@selo-uk.com
www.selo.global

Product specification and designs may alter without prior notice.

Please ensure you have the most up-to-date information before placing an order. This document and all the information contained within is the physical and intellectual property of Linear Building Innovations Limited. t/a Selo

FumaCE Smoke Control Damper

Product Datasheet

SEL-PDS-00029 | Rev.2

Installation Details

Fall arrest	Damper must be fitted 1100mm above the finished floor level (AD K) or suitable alternative measures taken.
Minimum Installed Height	The top of the lobby vent as close to the ceiling of the lobby as possible but at least as high as the top of the Damper connecting the lobby to the stairwell.
Compatible Shaft	Standard rigid construction smoke shaft.
	Successfully tested to EN1366-Part 8 of density 525kg/m3 or greater.

Actuator

Type	Coaxial Spindle Drive
Max Push / Pull Force	4000N
Max Misuse Force	4500N
Operating Temp	30°C to +80°C
Protection Class	IP 69K
Operating Voltage	24V DC
Power-On Time	ED 33% S3
Corrosion Resistance	EN ISO 9277 (NSS) 144 Hours
Obstacle Detection	Detection on close
Standby Current	1mAh

Additional Information

Wiring Diagram	Please see SEL-COM-00778 Fuma CE Wiring Diagram.pdf
Troubleshooting	Please see SEL-PRT-01540 Fuma CE Installation Guide.pdf